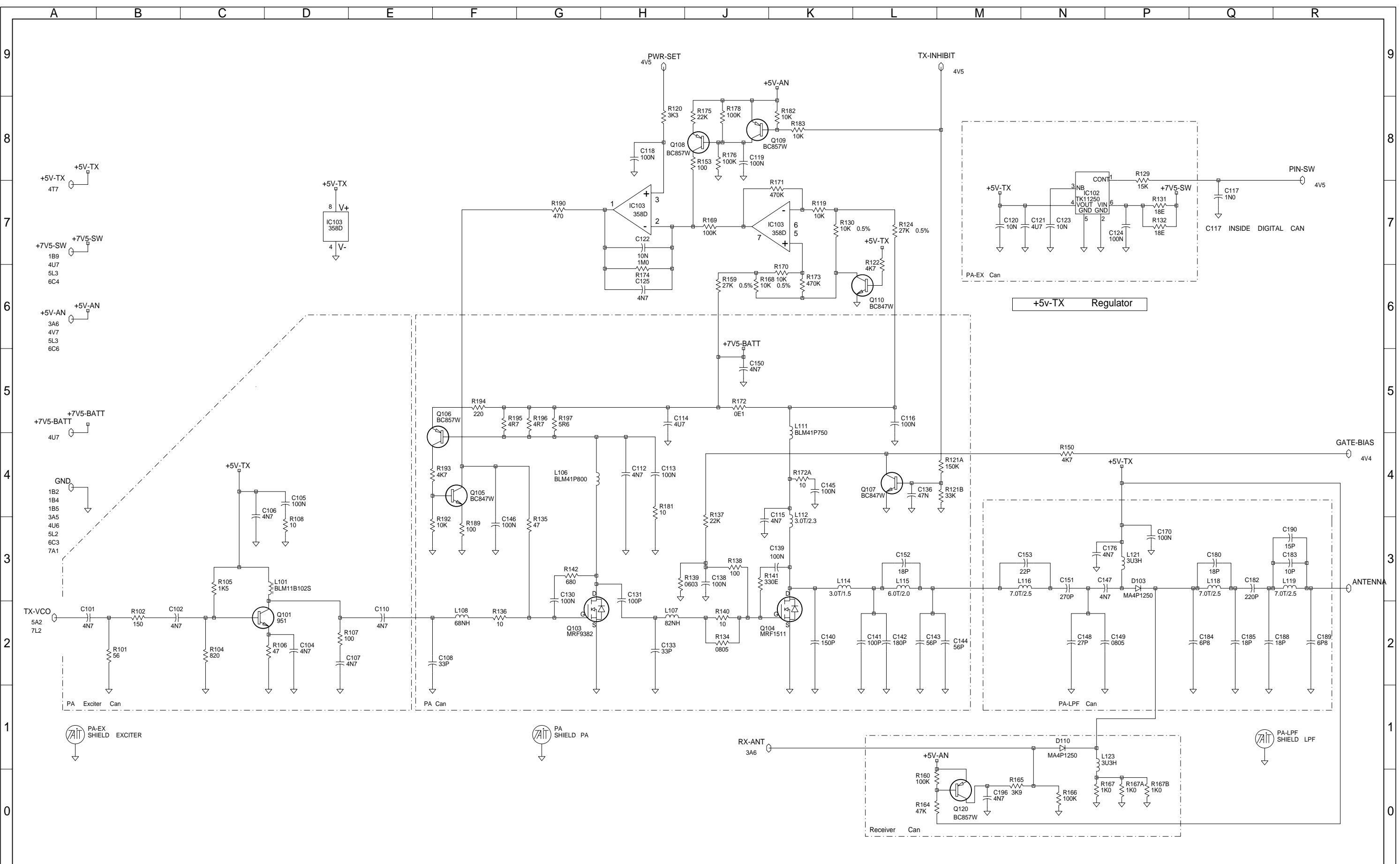


08C	PASTE GENERATED	BRD			18-08-03	
08B	C280VALUE CHANGE ECO 103200060	BRD			20-03-03	
08A	CCO NO.1616-011	BRD			27-07-00	
07A	CCO NO. 1616-010	BRD			05-05-00	
06B	CCO 1616-009	BRD			22-02-00	
06A	CCO NO 1616-008	BRD			10-02-2K	
04A	CLONED 220-01616-01 CCO 1616/006	BRD	SP	CK	DW	
REV/ISS	AMENDMENTS	DRAWN	CHKD	D.O.	APVD	DATE

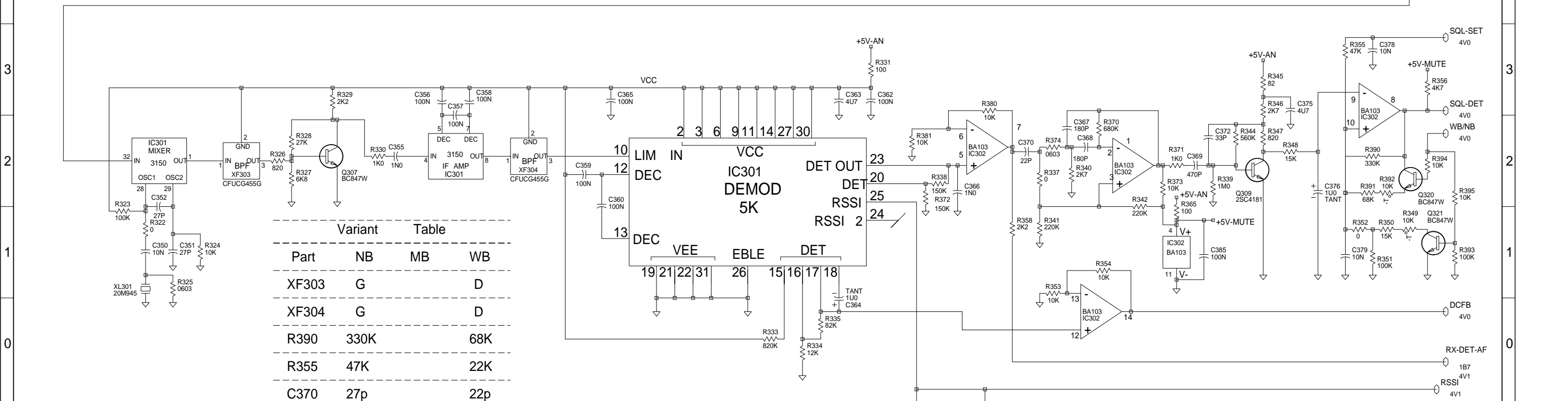
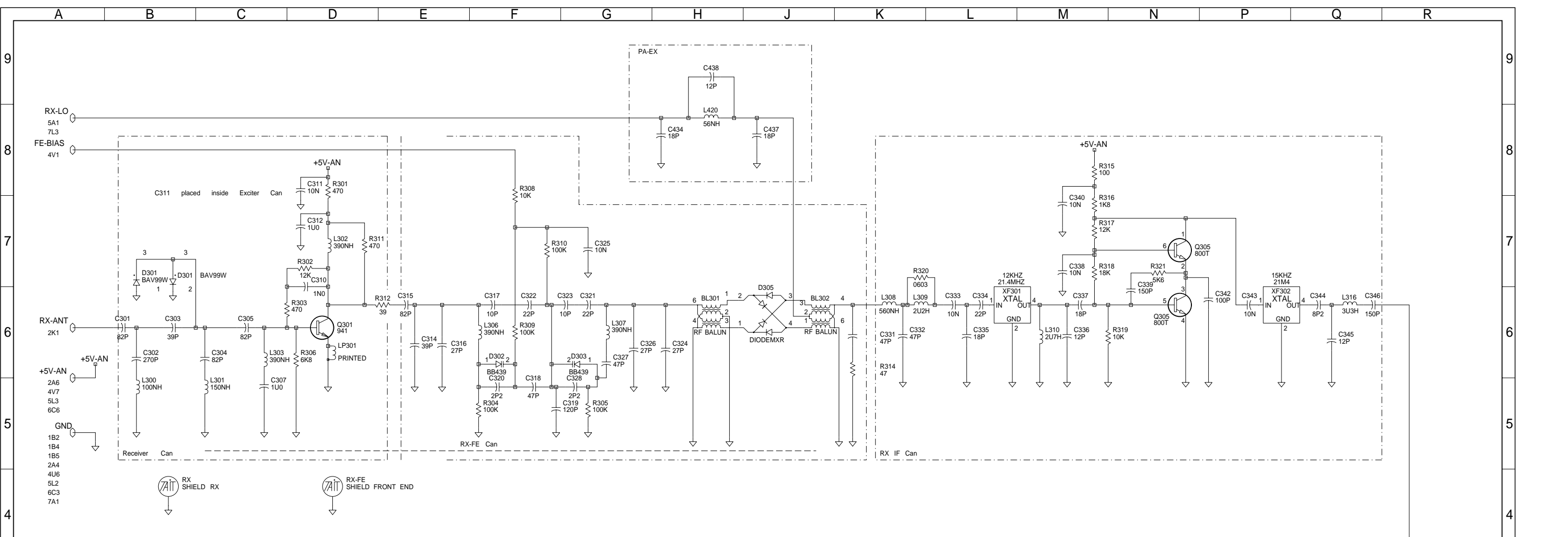
SUB-VHF
Tait Orca

© TAIT ELECTRONICS	
ORCA :	66-88MHZ
SYSTEM DIAGRAM	
IPN: 220-01616-08	ISSUE: C 2.SC. 1
PROJECT: TAIT ORCA	DESIGNER: BRD
FILE NAME: 161608B	DATE: 18-Aug-03
NO. SHEETS: 7	



© TAIT ELECTRONICS
 ORCA : 66-88MHZ
 POWER AMPLIFIER
 IPN: 220-01616-08 C 2.S.C. 2
 PROJECT: DESIGNER: FILE NAME: FILE DATE: NO.SHEETS:
 TAIT ORCA BRD 161608B 18-Aug-03 7

REV/ISS	AMENDMENTS	DRAWN	CHKD	D.O.	APVD	DATE
A						
B						
C						
D						
E						



Variant Table

Part	NB	MB	WB
XF303	G		D
XF304	G		D
R390	330K		68K
R355	47K		22K
C370	27p		22p
C369	470p		330p

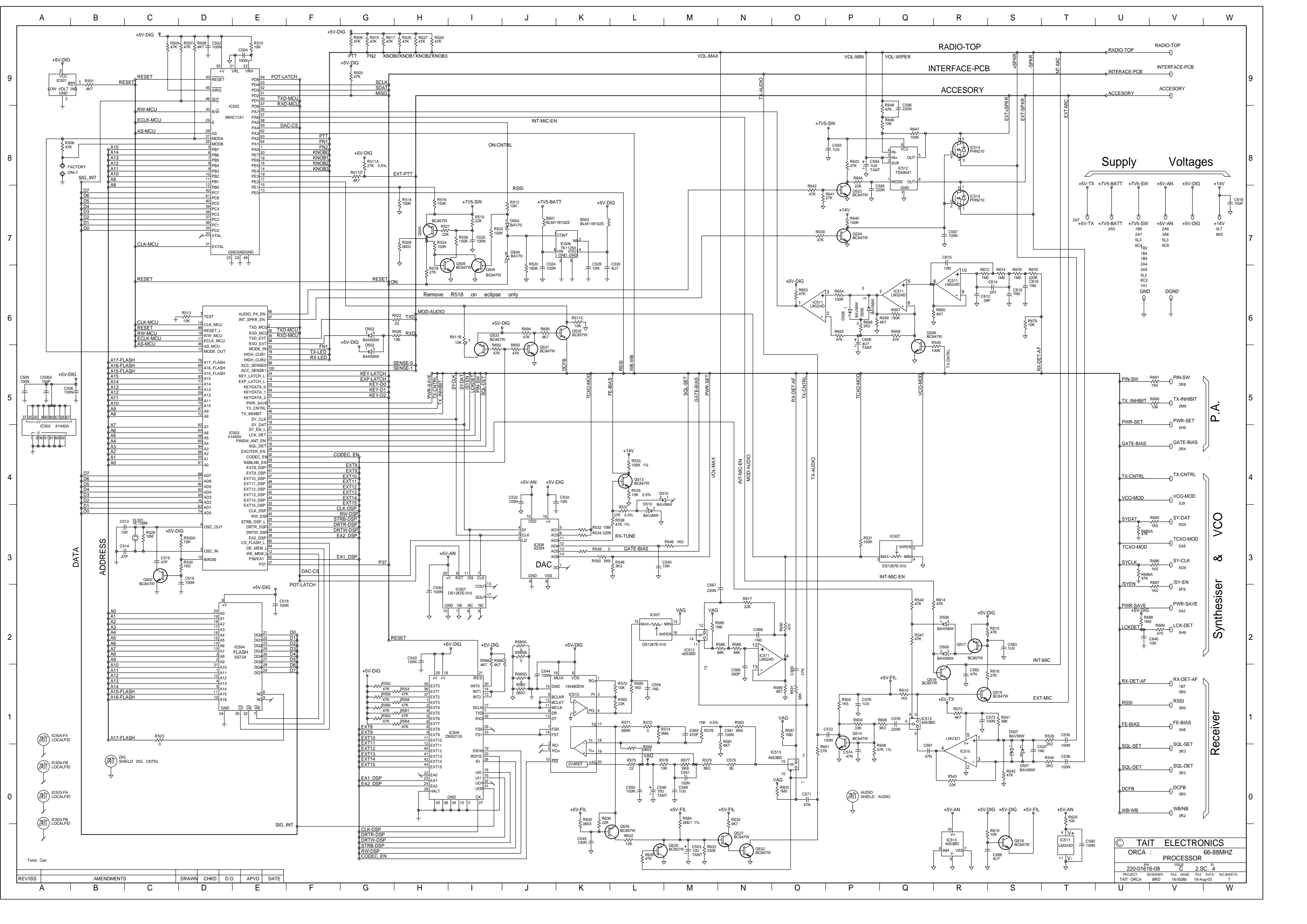
REV/ISS	AMENDMENTS	DRAWN	CHKD	D.O.	APVD	DATE

TAIT ELECTRONICS

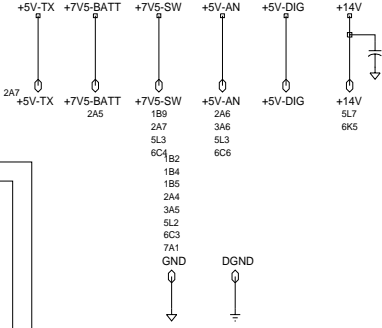
ORCA : RECEIVER 66-88MHZ

IPN: 220-01616-08 ISSUE: C 2.SC. 3 ID:

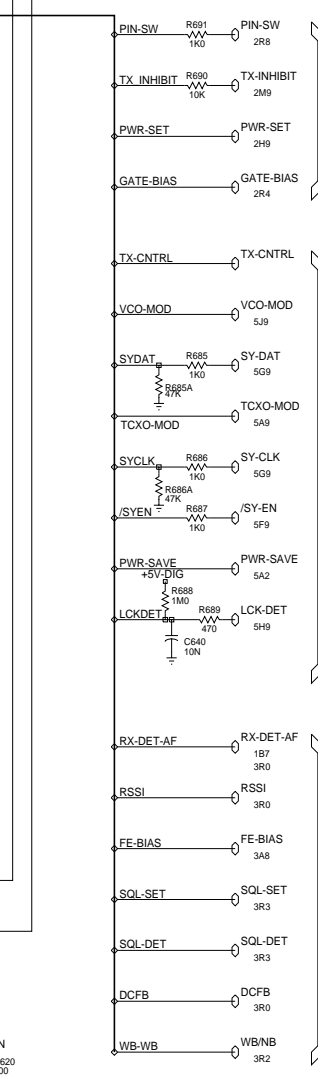
PROJECT: TAIT ORCA DESIGNER: BRD FILE NAME: 161608b FILE DATE: 18-Aug-03 NO.SHEETS: 7



Supply Voltages

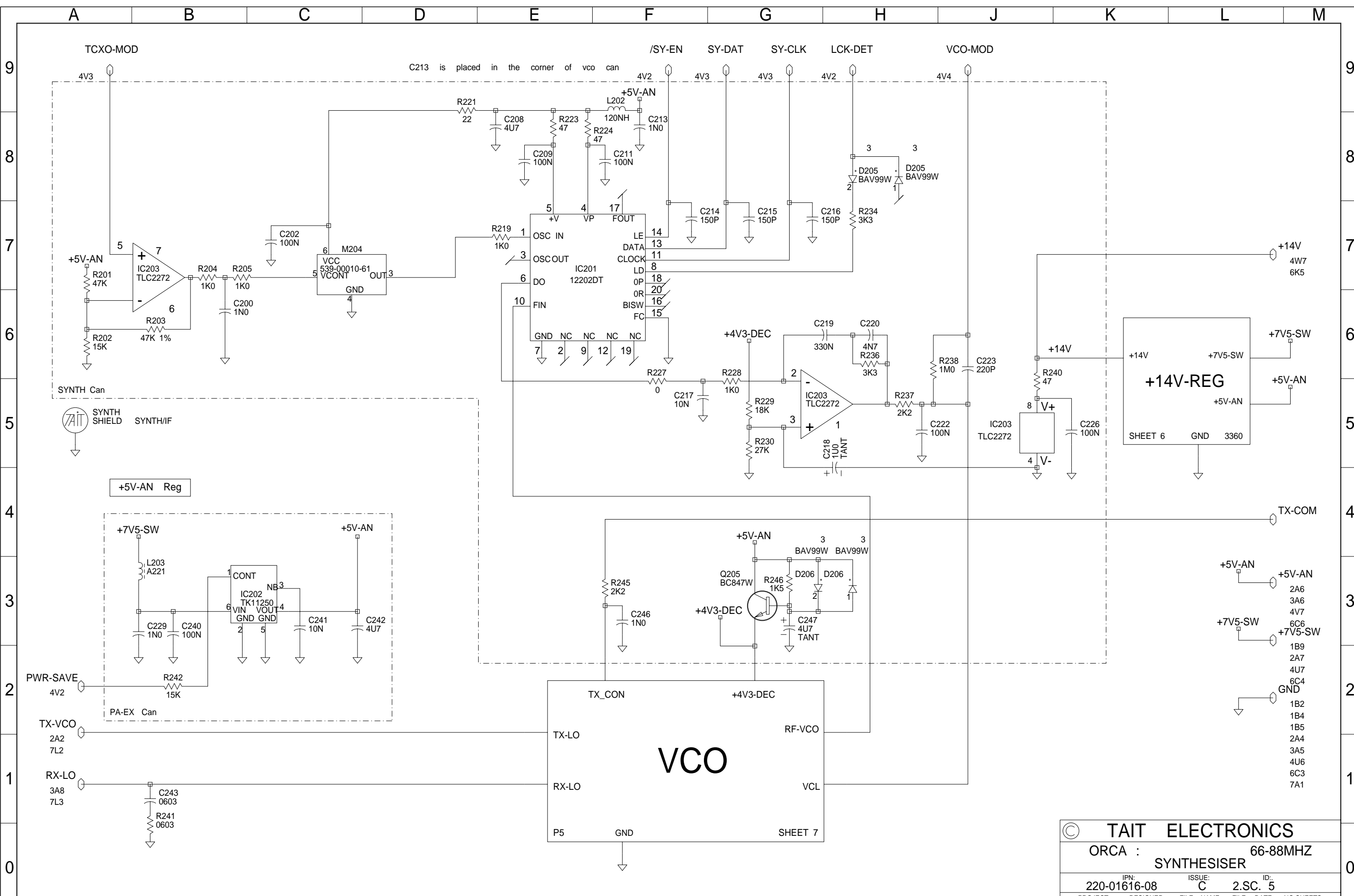


P.A. Synthesiser & VCO Receiver



© TAIT ELECTRONICS
 ORCA : PROCESSOR 66-88MHZ
 220-01616-08
 PRODUCT DESIGNER: FILE NAME: 161608B
 TAIT ORCA BRD 161608B 18-Aug-03

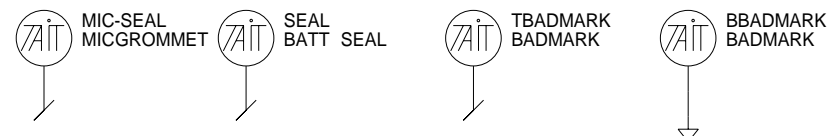
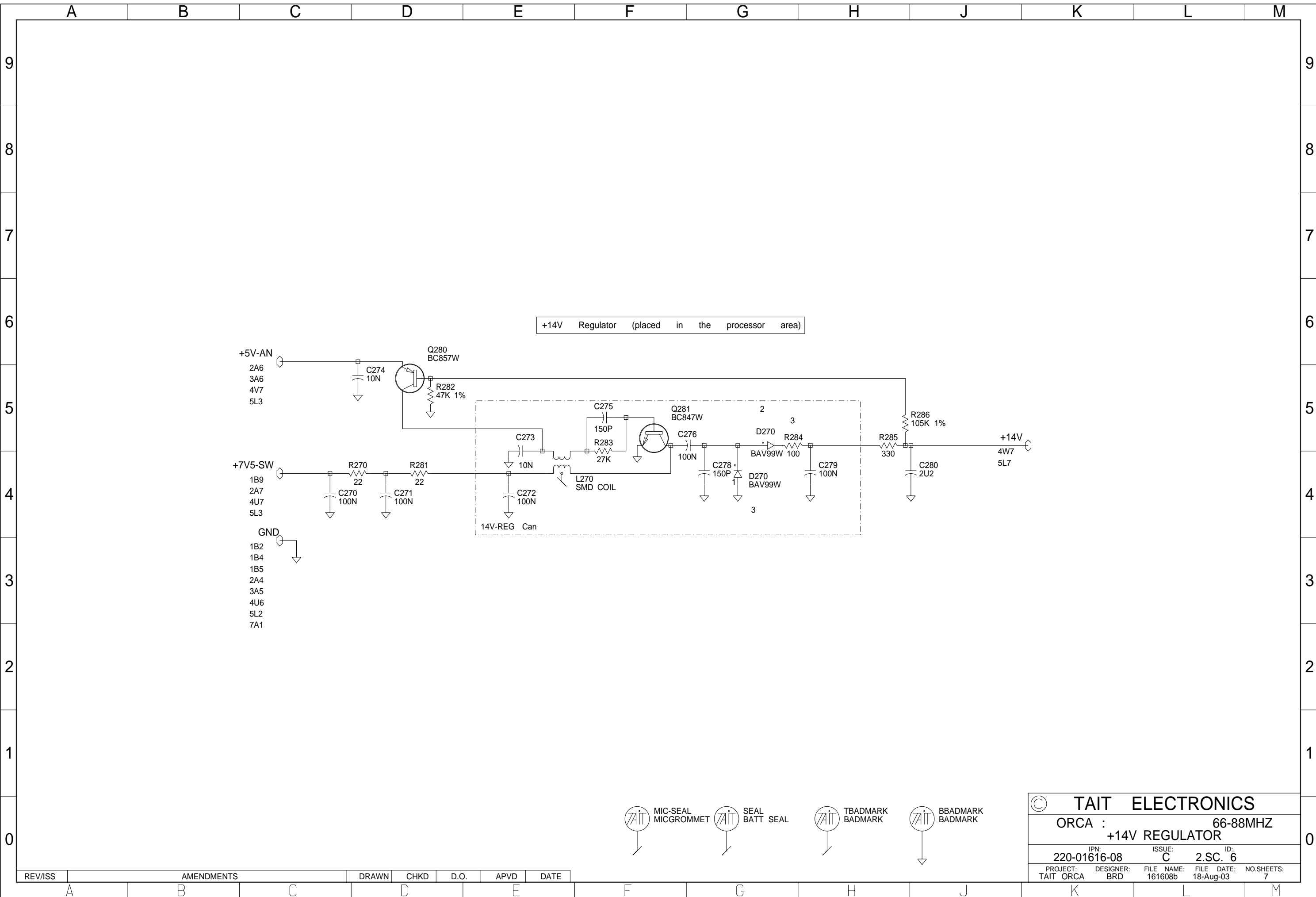
REV/ISS	AMENDMENTS	DRAWN	CHKD	D.O.	APVD	DATE
A		B	C	D	E	



© TAIT ELECTRONICS
 ORCA : 66-88MHZ SYNTHESISER
 IPN: 220-01616-08 ISSUE: C ID: 2.S.C. 5
 PROJECT: TAIT ORCA DESIGNER: BRD FILE NAME: 161608b FILE DATE: 18-Aug-03 NO.SHEETS: 7

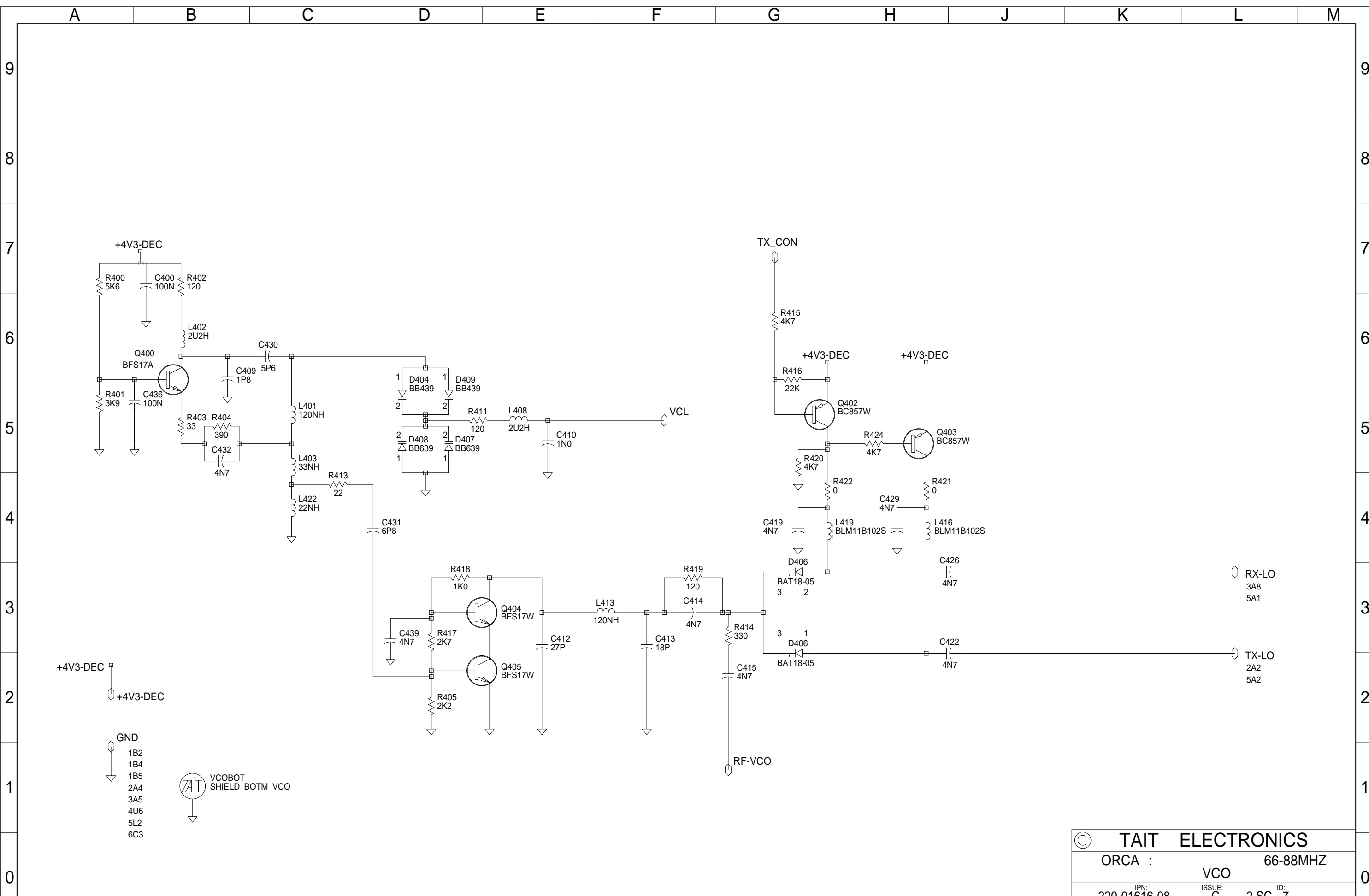
REV/ISS	AMENDMENTS	DRAWN	CHKD	D.O.	APVD	DATE

- +5V-AN 2A6
- +5V-AN 3A6
- +5V-AN 4V7
- +7V5-SW 6C6
- +7V5-SW 6C4
- GND 1B9
- 1B2
- 1B4
- 1B5
- 2A4
- 3A5
- 4U6
- 6C3
- 7A1



© TAIT ELECTRONICS				
ORCA :		66-88MHZ		
		+14V REGULATOR		
IPN:	ISSUE:	ID:		
220-01616-08	C	2.SC.		6
PROJECT:	DESIGNER:	FILE NAME:	FILE DATE:	NO.SHEETS:
TAIT ORCA	BRD	161608b	18-Aug-03	7

REV/ISS	AMENDMENTS	DRAWN	CHKD	D.O.	APVD	DATE



+4V3-DEC

+4V3-DEC

GND

1B2
1B4
1B5
2A4
3A5
4U6
5L2
6C3

VCBOT SHIELD BOTM VCO

© TAIT ELECTRONICS	
ORCA :	VCO 66-88MHZ
IPN: 220-01616-08	ISSUE: C 2.SC. 7
PROJECT: TAIT ORCA	DESIGNER: BRD
FILE NAME: 161608b	FILE DATE: 18-Aug-03
	NO.SHEETS: 7

REV/ISS	AMENDMENTS	DRAWN	CHKD	D.O.	APVD	DATE
						12/02/99

A B C D E F G H J K L M

9
8
7
6
5
4
3
2
1
0

9
8
7
6
5
4
3
2
1
0