

PROCESSOR
252 SHEET 4
DSP AUDIO

RECEIVER
246 SHEET 3

SYNTH-VCO
2922 SHEET 5

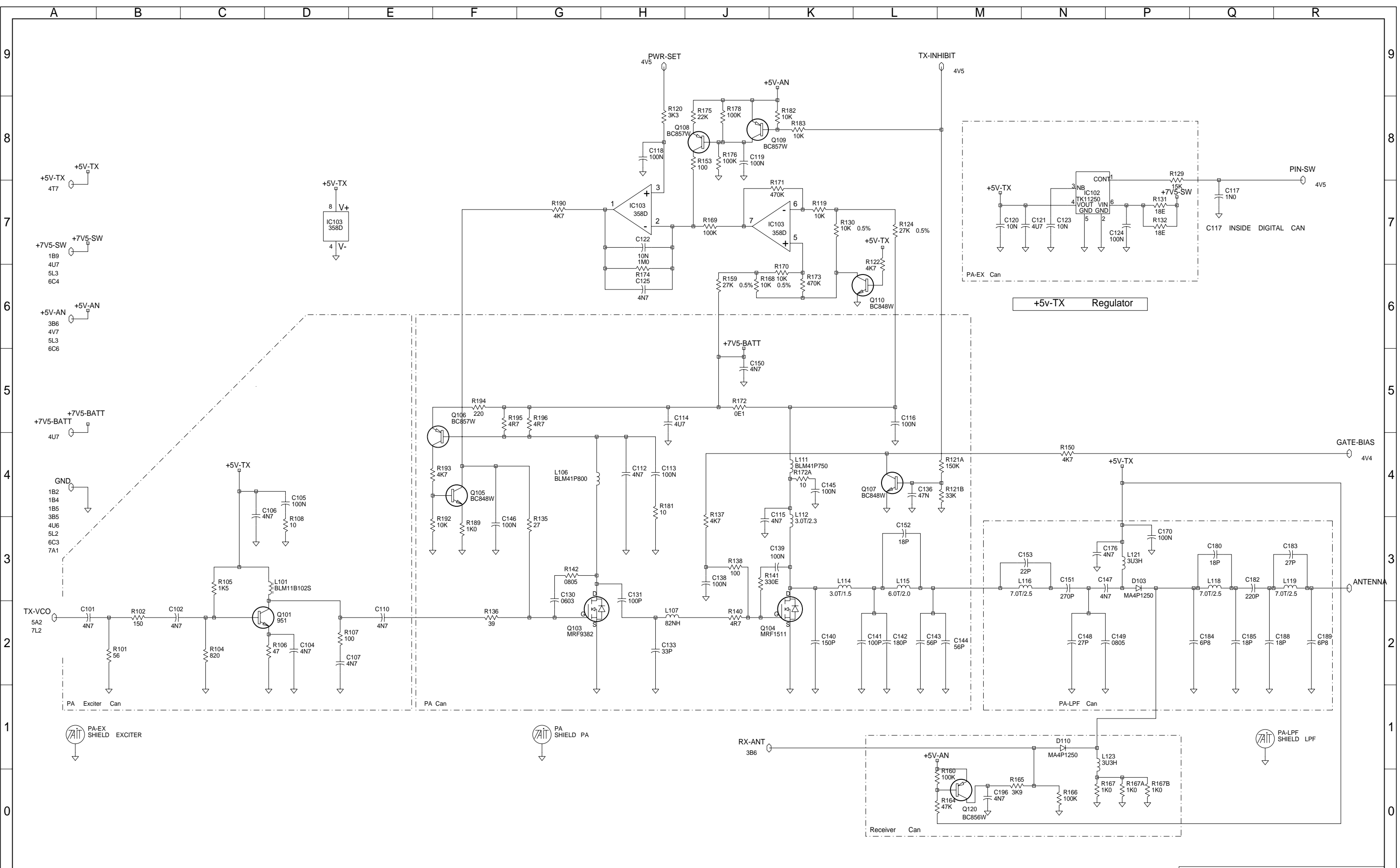
POWER-AMP
93 SHEET 2

VCO
sheet 6

SUB-VHF
Tait Orca

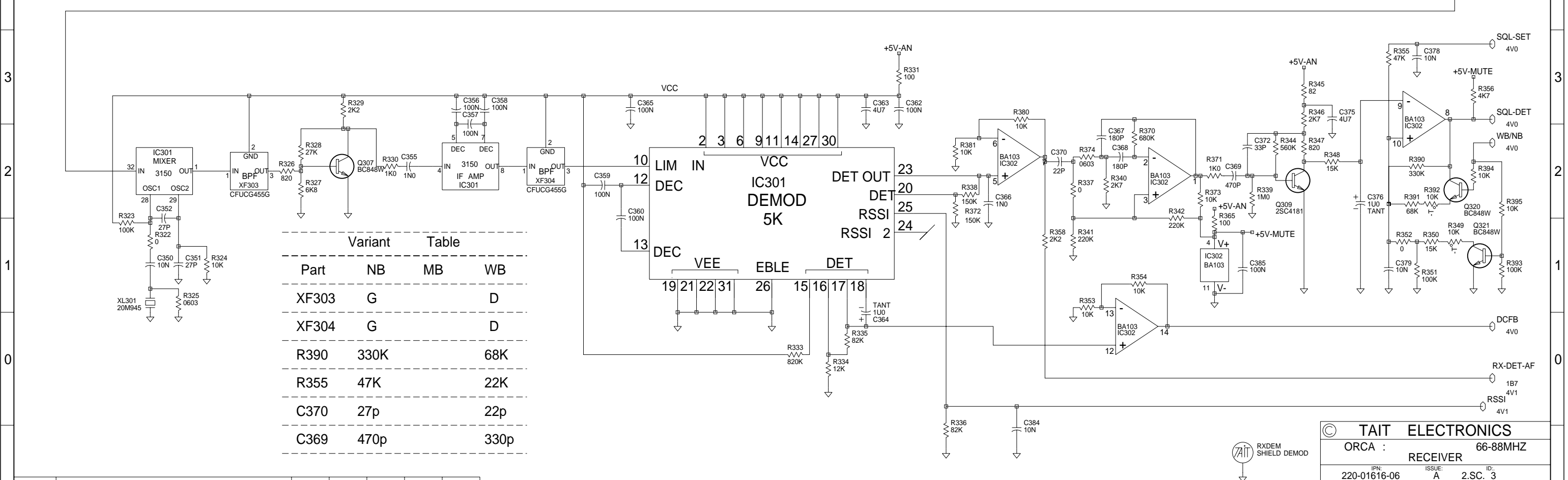
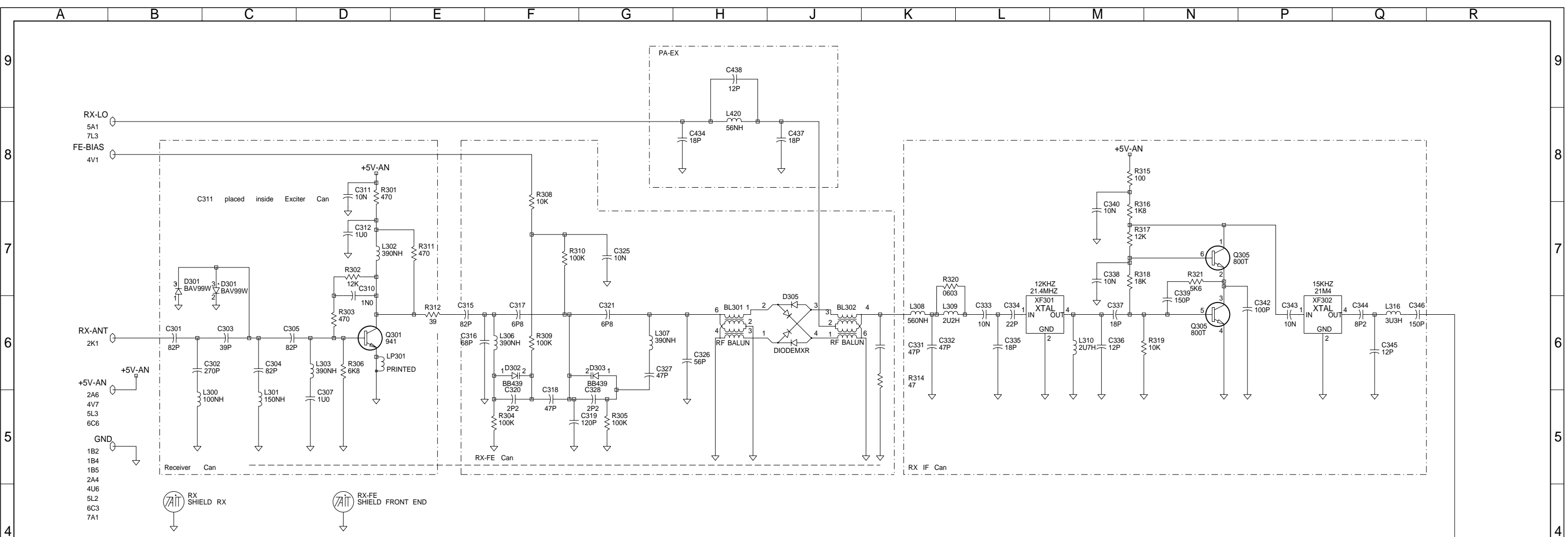
| | |
|---------------------|-------------------------|
| © TAIT ELECTRONICS | |
| ORCA : 220-01616-06 | 66-88MHZ SYSTEM DIAGRAM |
| IPN: A | ISSUE: 2.SC. 1 |
| PROJECT: TAIT ORCA | DESIGNER: BRD |
| FILE NAME: 161606a | FILE DATE: 10-Feb-00 |
| NO. SHEETS: 7 | |

| | | | |
|---------|----------------------------------|-------|---------------------|
| 06A | CCO NO 1616-008 | BRD | 10-02-2K |
| 04A | CLONED 220-01616-01 CCO 1616/006 | BRD | SP CK DW 24/11/99 |
| REV/ISS | AMENDMENTS | DRAWN | CHKD D.O. APVD DATE |



© TAIT ELECTRONICS
 ORCA : 66-88MHZ POWER AMPLIFIER
 IPN: 220-01616-06 ISSUE: A ID: 2.S.C. 2
 PROJECT: TAIT ORCA DESIGNER: BRD FILE NAME: 161606a FILE DATE: 10-Feb-00 NO.SHEETS: 7

| REV/ISS | AMENDMENTS | DRAWN | CHKD | D.O. | APVD | DATE |
|---------|------------|-------|------|------|------|------|
| A | | | | | | |

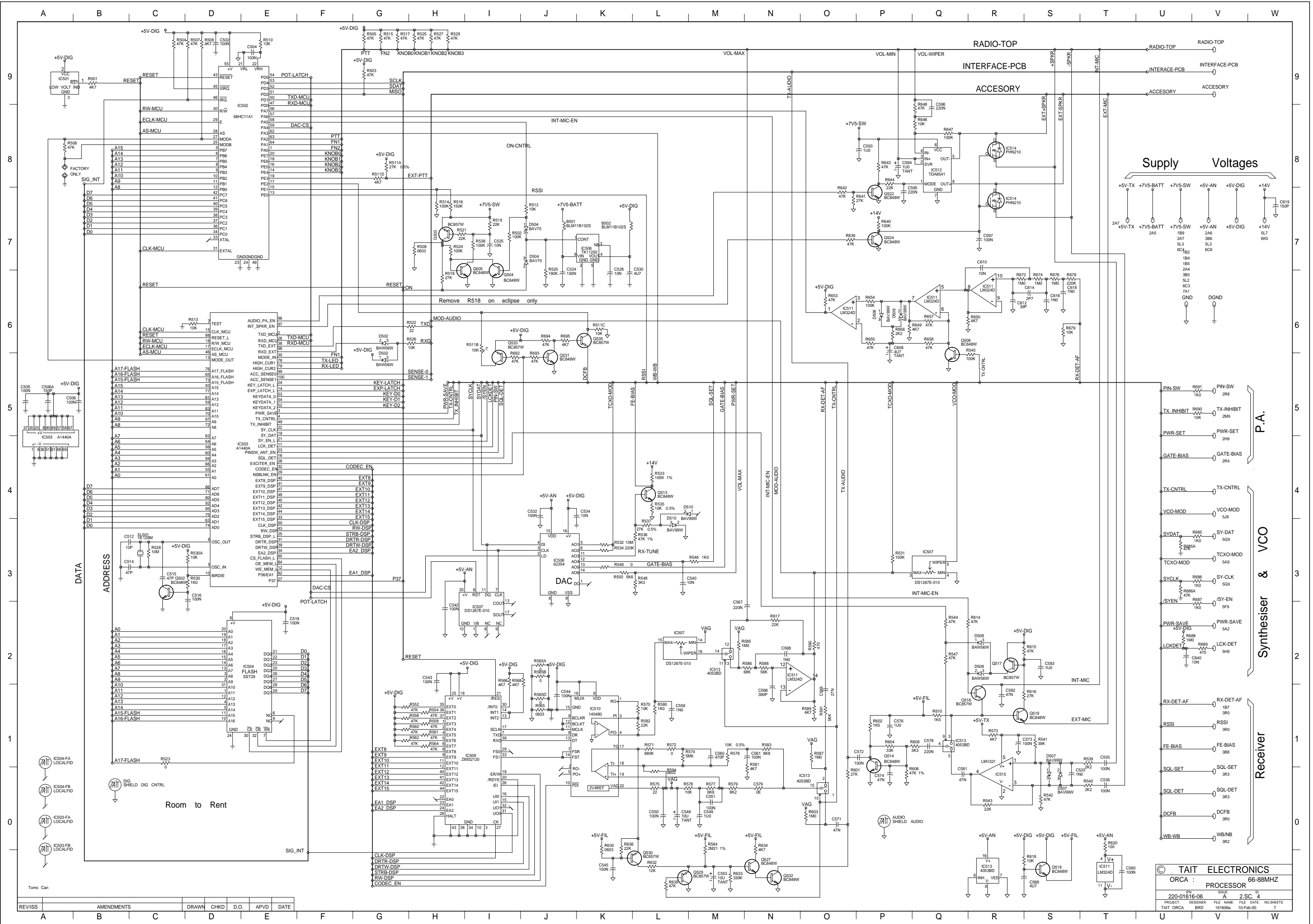


Variant Table

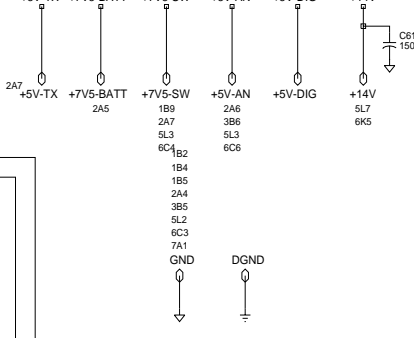
| Part | NB | MB | WB |
|-------|------|----|------|
| XF303 | G | | D |
| XF304 | G | | D |
| R390 | 330K | | 68K |
| R355 | 47K | | 22K |
| C370 | 27p | | 22p |
| C369 | 470p | | 330p |

| REV/ISS | AMENDMENTS | DRAWN | CHKD | D.O. | APVD | DATE |
|---------|------------|-------|------|------|------|------|
| | | | | | | |

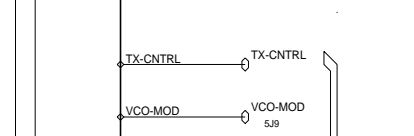
© TAIT ELECTRONICS
 ORCA : RECEIVER 66-88MHZ
 IPN: 220-01616-06 ISSUE: A 2.S.C. 3 ID:
 PROJECT: TAIT ORCA BRD DESIGNER: 161606a FILE NAME: 10-Feb-00 NO.SHEETS: 7



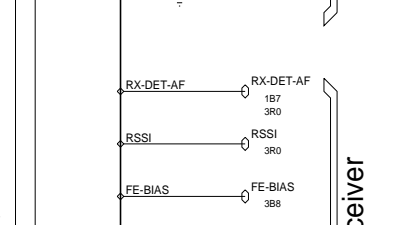
Supply Voltages



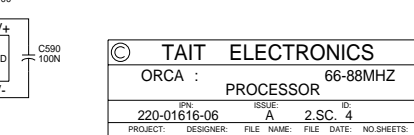
P.A.



Synthesiser & VCO

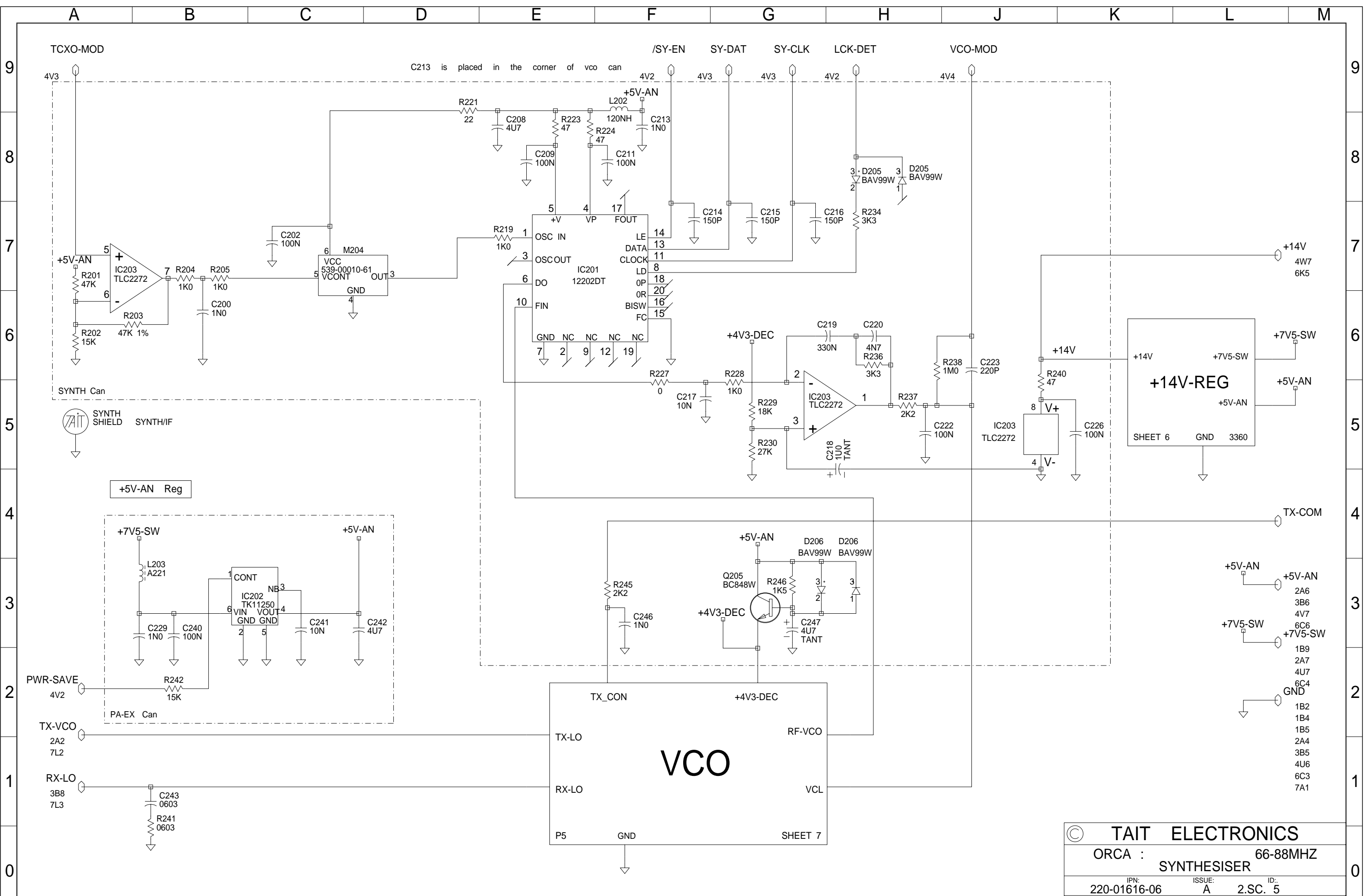


Receiver



© TAIT ELECTRONICS
 ORCA : PROCESSOR 66-88MHZ
 220-01616-06 2.SC.4
 PROJECT DESIGNER FILE NAME FILE DATE NO.SHEETS
 TAIT ORCA BRD 161606a 10-Feb-00 7

| REV/ISS | AMENDMENTS | DRAWN | CHKD | D.O. | APVD | DATE |
|---------|------------|-------|------|------|------|------|
| | | | | | | |



C213 is placed in the corner of vco can

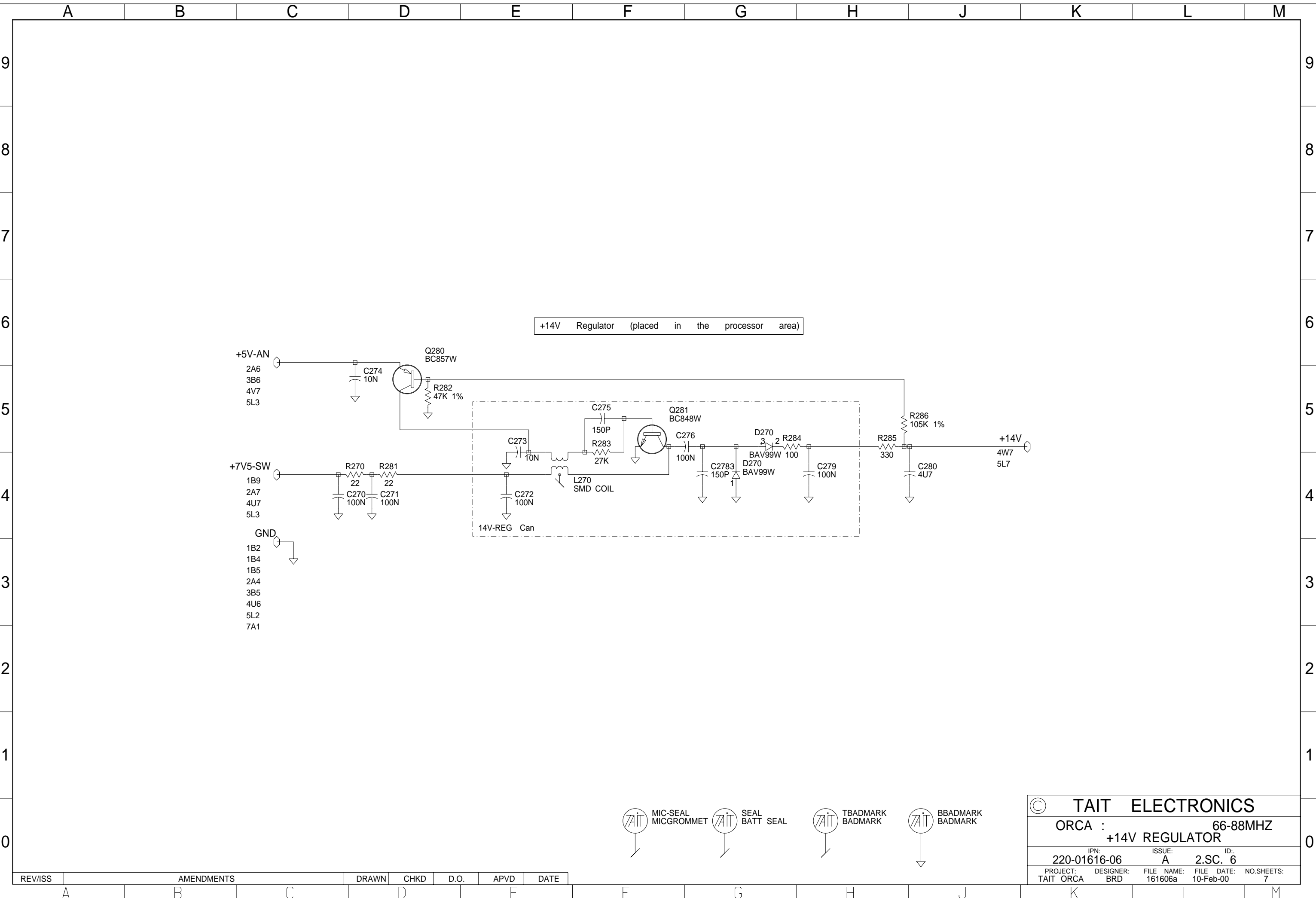
+14V-REG
SHEET 6
GND 3360

VCO
SHEET 7
P5 GND

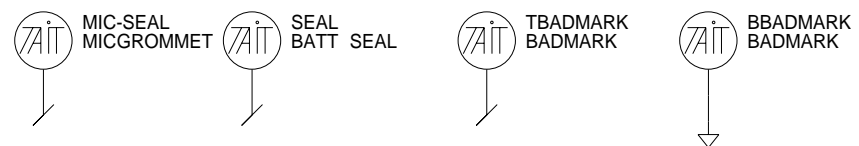
| | |
|--------------------|----------------------|
| © TAIT ELECTRONICS | |
| ORCA : | 66-88MHZ SYNTHESISER |
| IPN: 220-01616-06 | ISSUE: A |
| DESIGNER: BRD | DATE: 10-Feb-00 |
| FILE NAME: 161606a | NO.SHEETS: 7 |

| REV/ISS | AMENDMENTS | DRAWN | CHKD | D.O. | APVD | DATE |
|---------|------------|-------|------|------|------|------|
| | | | | | | |

- +5V-AN 2A6
- +5V-AN 3B6
- +5V-AN 4V7
- +7V5-SW 6C6
- +7V5-SW 1B9
- +7V5-SW 2A7
- +7V5-SW 4U7
- +7V5-SW 6C4
- GND 1B2
- 1B4
- 1B5
- 2A4
- 3B5
- 4U6
- 6C3
- 7A1

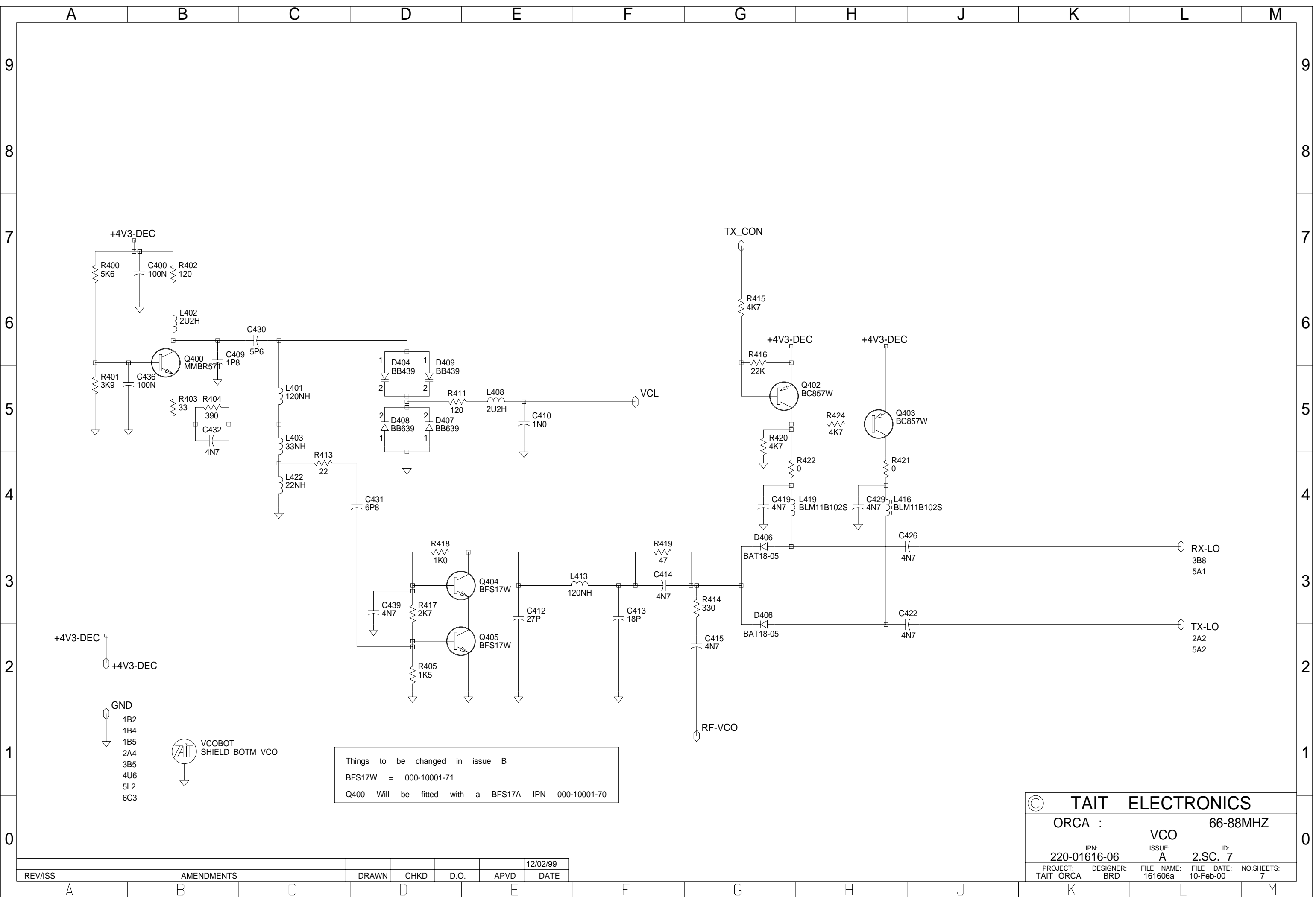


+14V Regulator (placed in the processor area)



| | |
|---------------------|----------------------------|
| © TAIT ELECTRONICS | |
| ORCA : 220-01616-06 | 66-88MHZ +14V REGULATOR |
| IPN: A | ID: 2.SC. 6 |
| PROJECT: TAIT ORCA | DESIGNER: BRD |
| FILE NAME: 161606a | FILE DATE: 10-Feb-00 |
| | NO.SHEETS: 7 |

| REV/ISS | AMENDMENTS | DRAWN | CHKD | D.O. | APVD | DATE |
|---------|------------|-------|------|------|------|------|
| | | | | | | |



+4V3-DEC

+4V3-DEC

GND

1B2

1B4

1B5

2A4

3B5

4U6

5L2

6C3

VCOBOT SHIELD BOTM VCO

Things to be changed in issue B

BFS17W = 000-10001-71

Q400 Will be fitted with a BFS17A IPN 000-10001-70

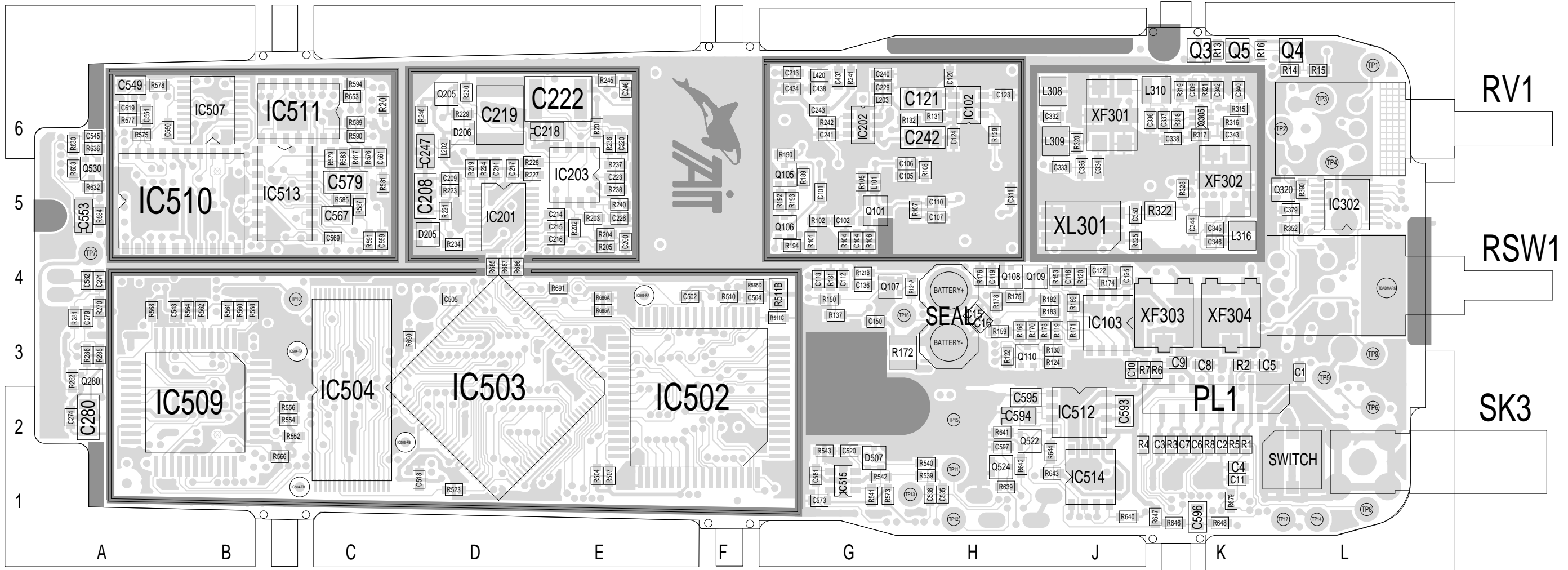
| | | | | | | |
|---------|------------|-------|------|------|------|----------|
| REV/ISS | AMENDMENTS | DRAWN | CHKD | D.O. | APVD | DATE |
| | | | | | | 12/02/99 |

| | | | | | |
|--------------------|---------------|--------------------|----------------------|---------------|--|
| © TAIT ELECTRONICS | | | | | |
| ORCA : | | VCO 66-88MHZ | | | |
| IPN: 220-01616-06 | | ISSUE: A | | ID: 2.SC. 7 | |
| PROJECT: TAIT ORCA | DESIGNER: BRD | FILE NAME: 161606a | FILE DATE: 10-Feb-00 | NO. SHEETS: 7 | |

AUDIO

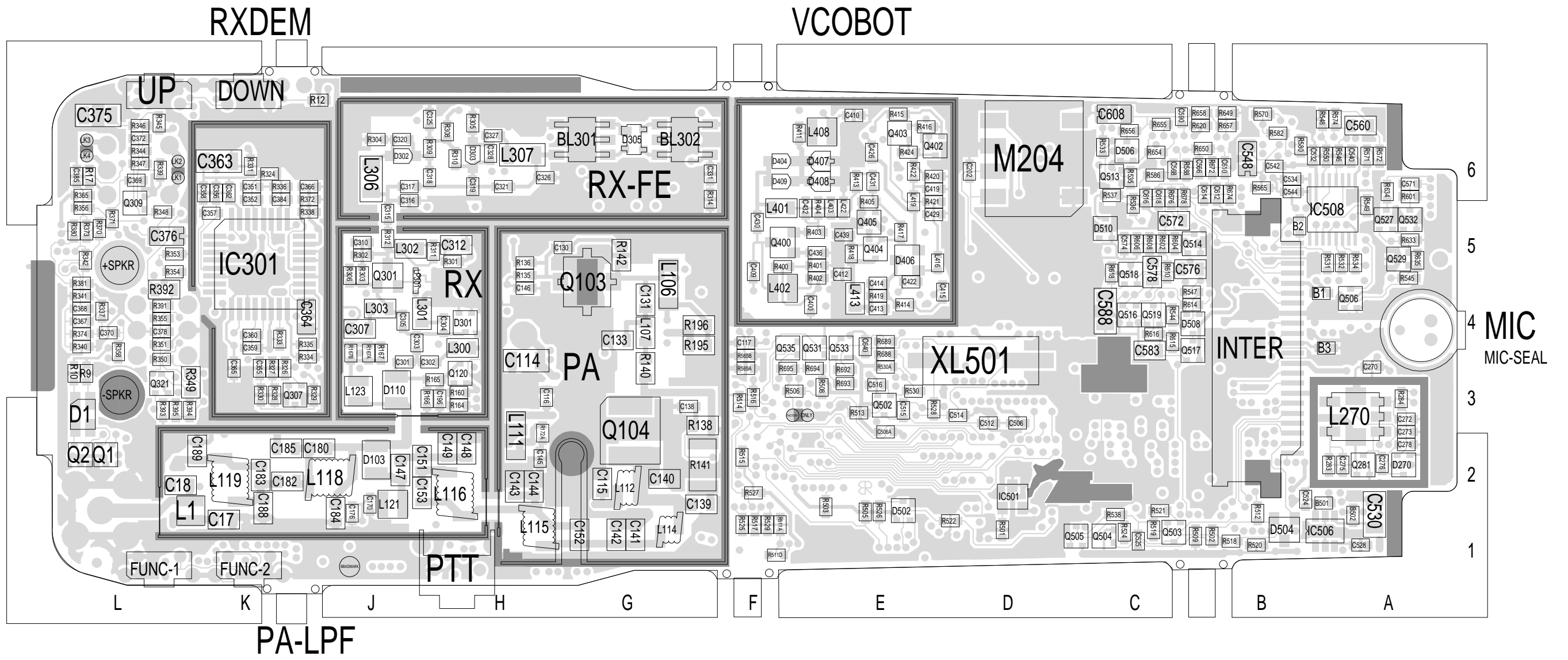
SYNTH

PA-EX



TAIT ELECTRONICS IPN: 220-01616-06 ISS: A ID: 1.TA DATE: 11 Feb 2000
 SUB VHF PCB LAYOUT - TOP SIDE

Scale: 2.3:1 ; Rotation: 0 degrees



TAIT ELECTRONICS IPN: 220-01616-06 ISS: A ID: 6.BA DATE: 11 Feb 2000
 SUB VHF PCB LAYOUT - BOTTOM SIDE

Scale: 2.3:1 ; Rotation: 0 degrees