

SANG®

TCD-1389USB

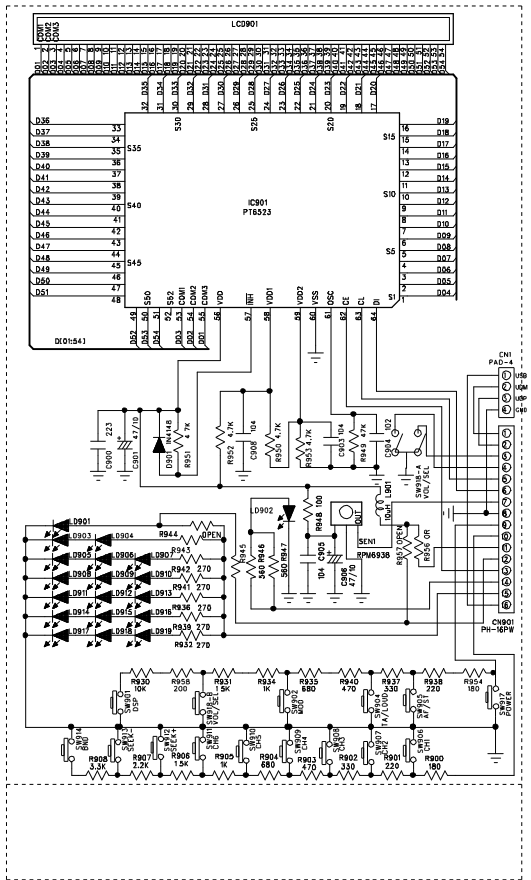
Maintenance manual

Contents

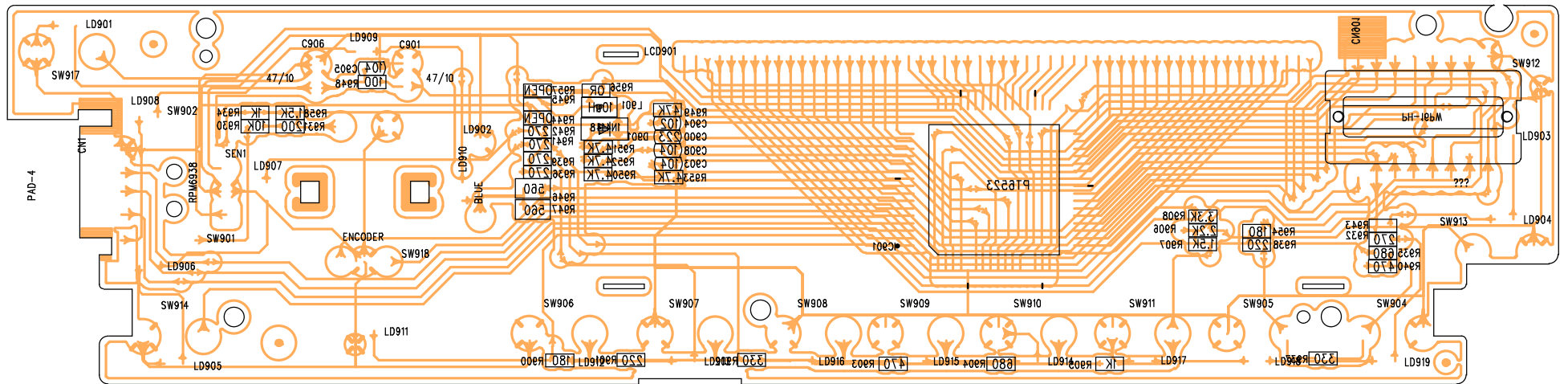
KB(Top)	3
KB(Bottom)	4
MB(Top)	5
MB(Bottom)	6
SB(Top)	7
SB(Bottom)	8
KB(SCH)	9
MB(SCH)	10
SB(SCH)	11
Simple Troubleshooting Guide	12

Simple Troubleshooting Guide

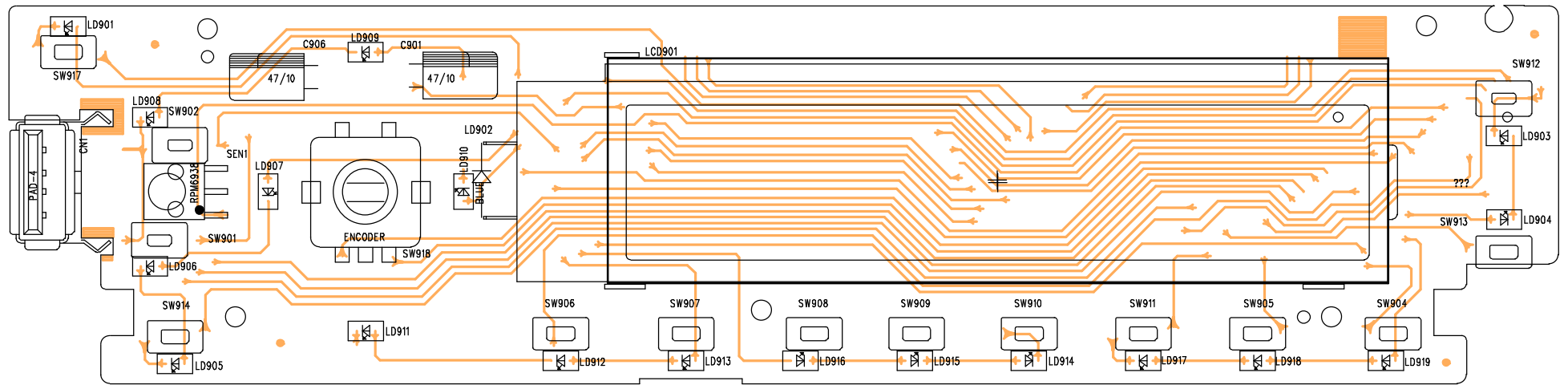
Problem	Cause/Solution
No power.	★ Check and make sure whether the fuse is blown, replace with the proper value if necessary.
Some errors occur in the LCD or no function when pressing the button.	★ Press the RESET button.
Unable to receive stations.	★ Check and make sure whether the antenna is inserted or the antenna is properly connected, if so, insert the antenna or connect it properly.
Poor effect on receiving a station.	<p>★ Antenna may not be the proper length. Make sure the antenna is fully extended or broken; if broken, replace the antenna with a new one.</p> <p>★ The antenna is poorly grounded, check and make sure the antenna is properly grounded at its mounting location.</p>
CDs cannot be loaded.	★ A CD is loaded in the mechanism.
Sound skips.	★ The CD is dirty or damaged.
No images.	★ The Video line from main to the TV is not connected properly.
Images skip.	★ Improper setting of the color system. Set the color system to PAL or NTSC according to the connections of the TV.



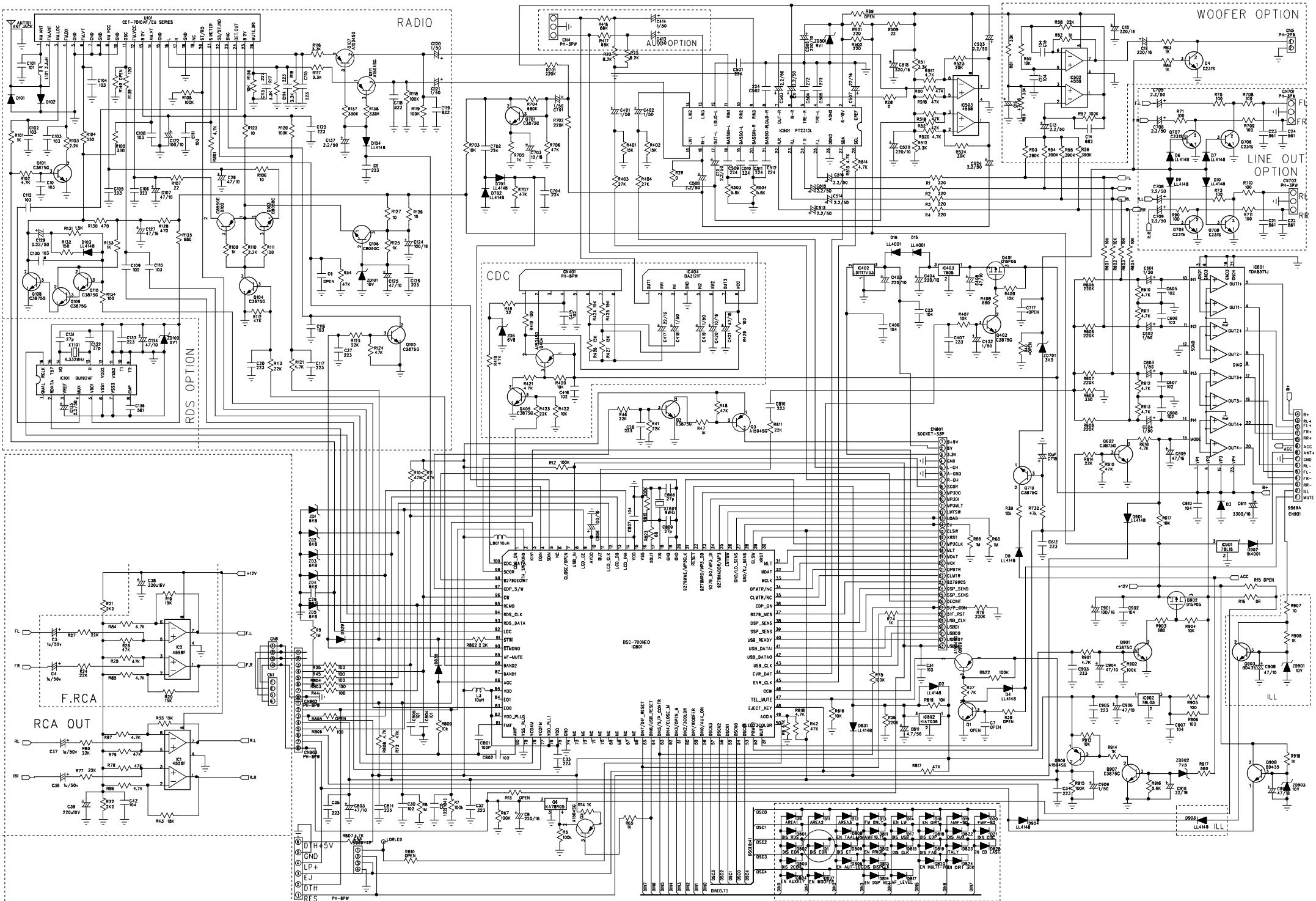
PARTS	R943	R945
LED COLOR		
BLUE	1.2K	680
RED YELLOW/GREEN	470	270

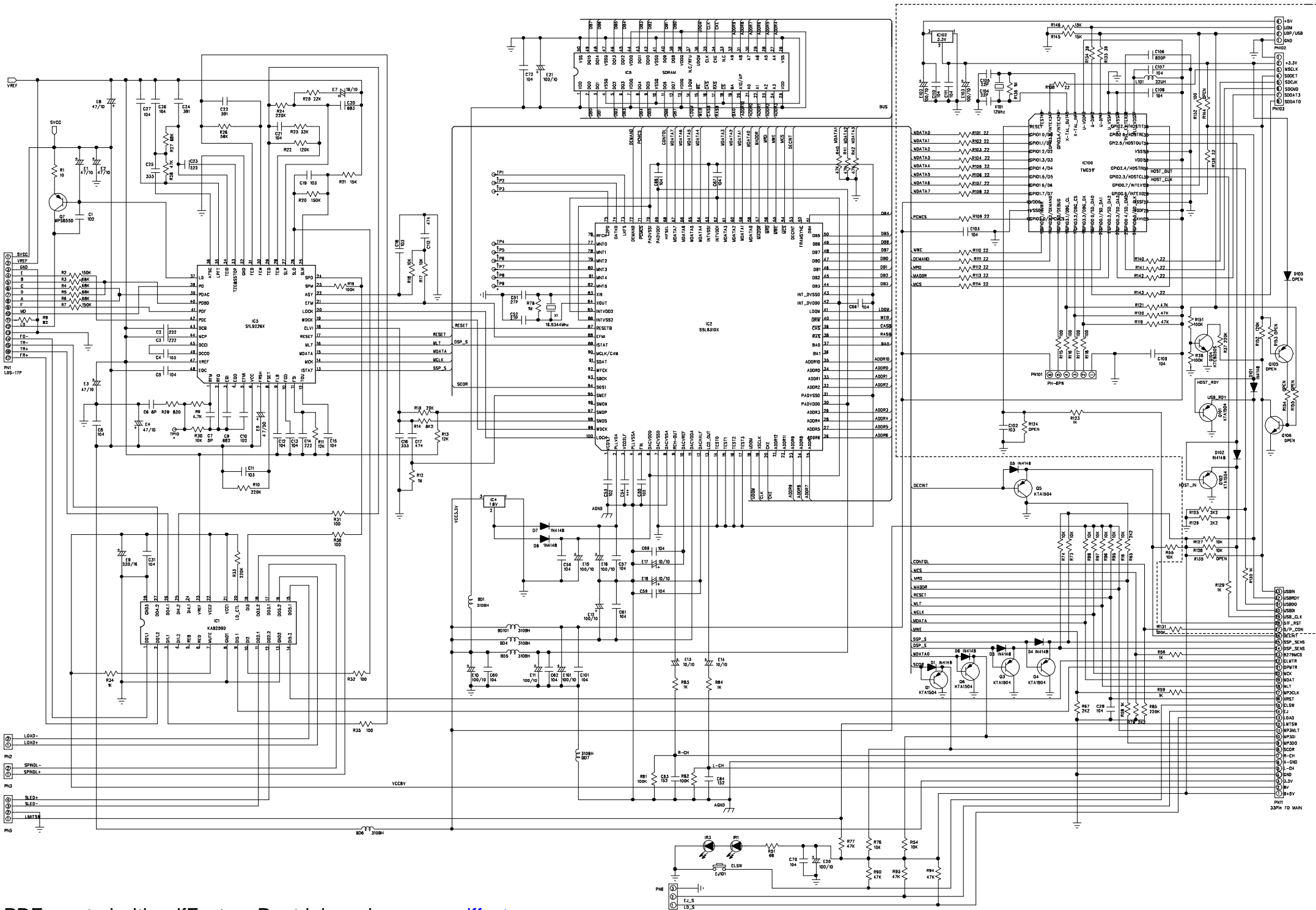


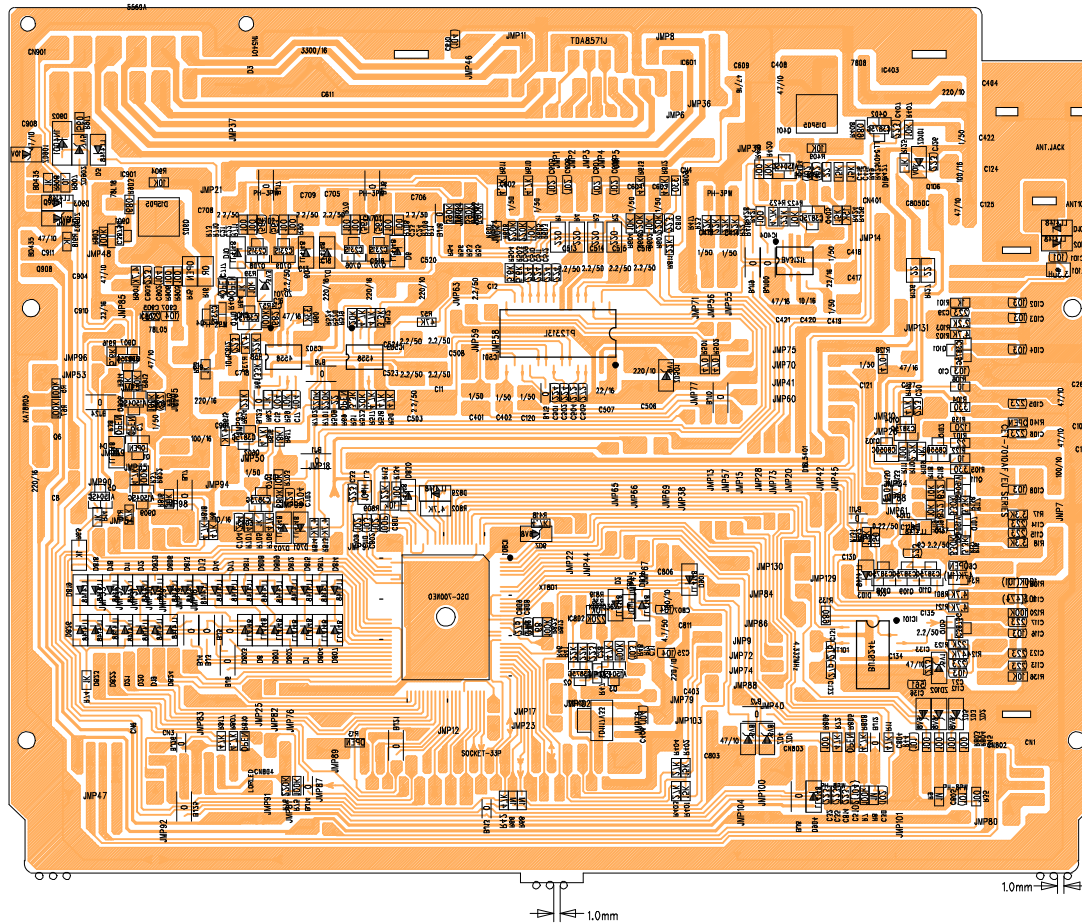
TCD-1389K16



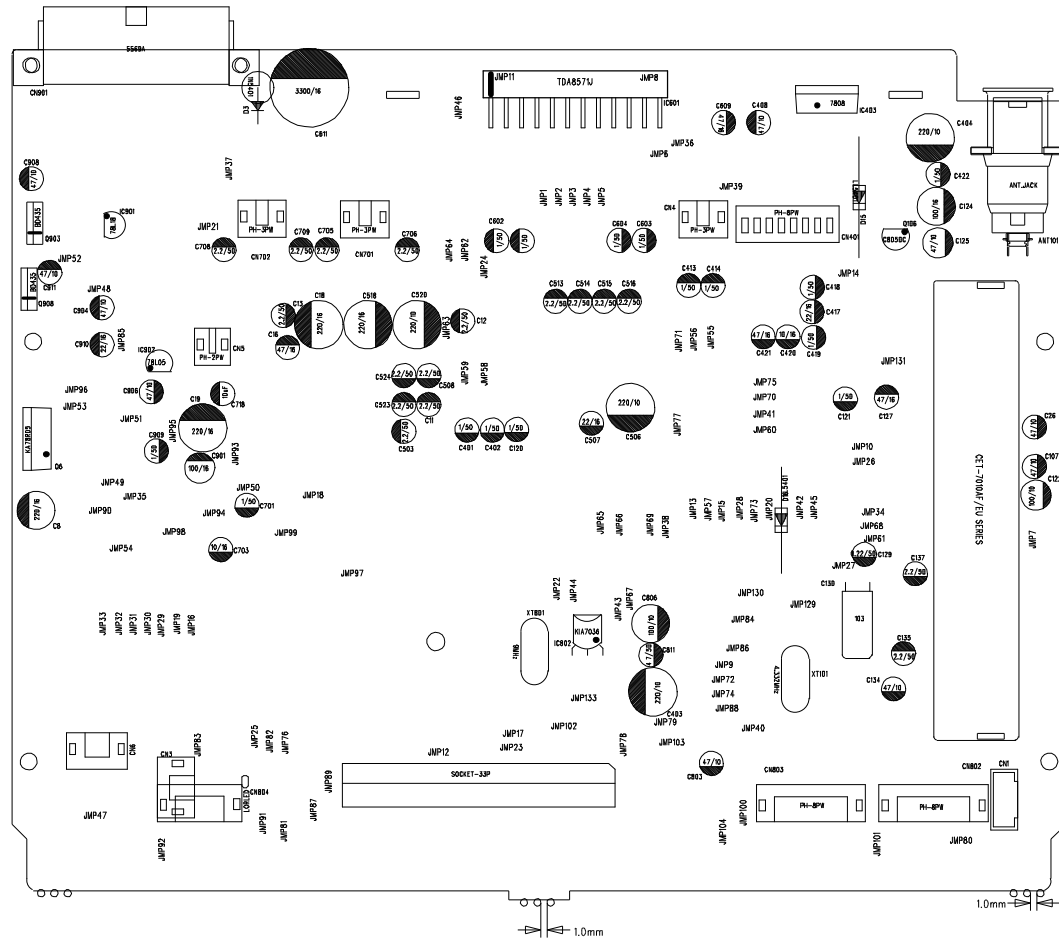
TCD-1389K16







TCD-0183K16
TCD-0183K16 MB 174X153X1.6



TCD-0183K16
 TCD-0183K16 MB 174X153X1.6

