

SCALE :  
MATERIAL :  
FINISH :  
GEN. LIMITS :

THIRD ANGLE PROJECTION

ISSUE	AMENDMENTS	DRN.	CHKD.	APVD.	DATE	ISSUE	AMENDMENTS	DRN.	CHKD.	APVD.	DATE
A	ORIGINAL				11/2/83						

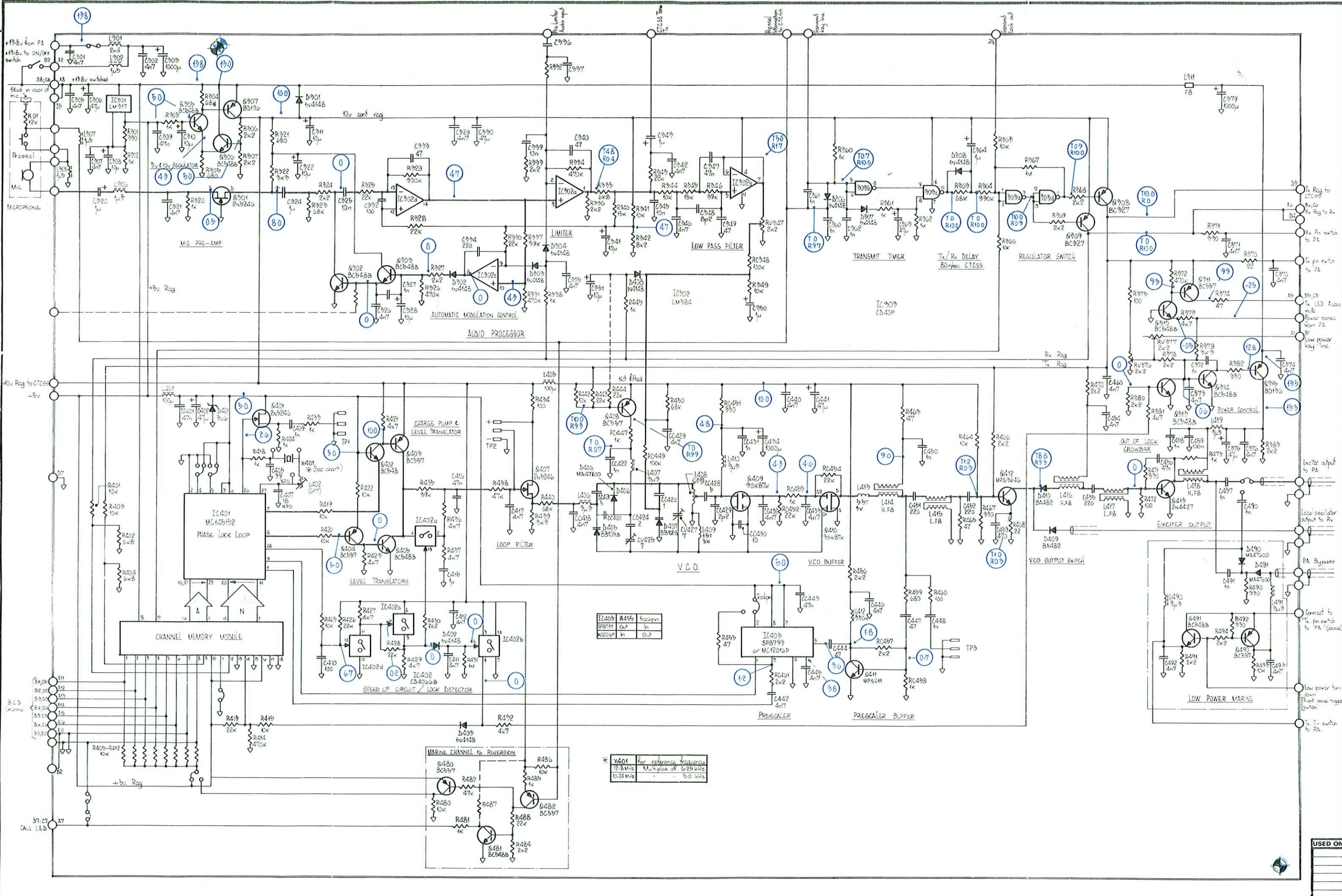
BLOCK DIAGRAM T498 & T499

IPN

**AIT** TAIT ELECTRONICS Ltd.  
Christchurch New Zealand

DRAWING NUMBER **A2C428**

ISSUE



IC409	R455	100k	in
SP879	Out		
MC204	In	0.5	

\* V401 for reference frequency  
 12.5 MHz Multiple of 6.25 kHz  
 15.25 MHz - 5.0 MHz

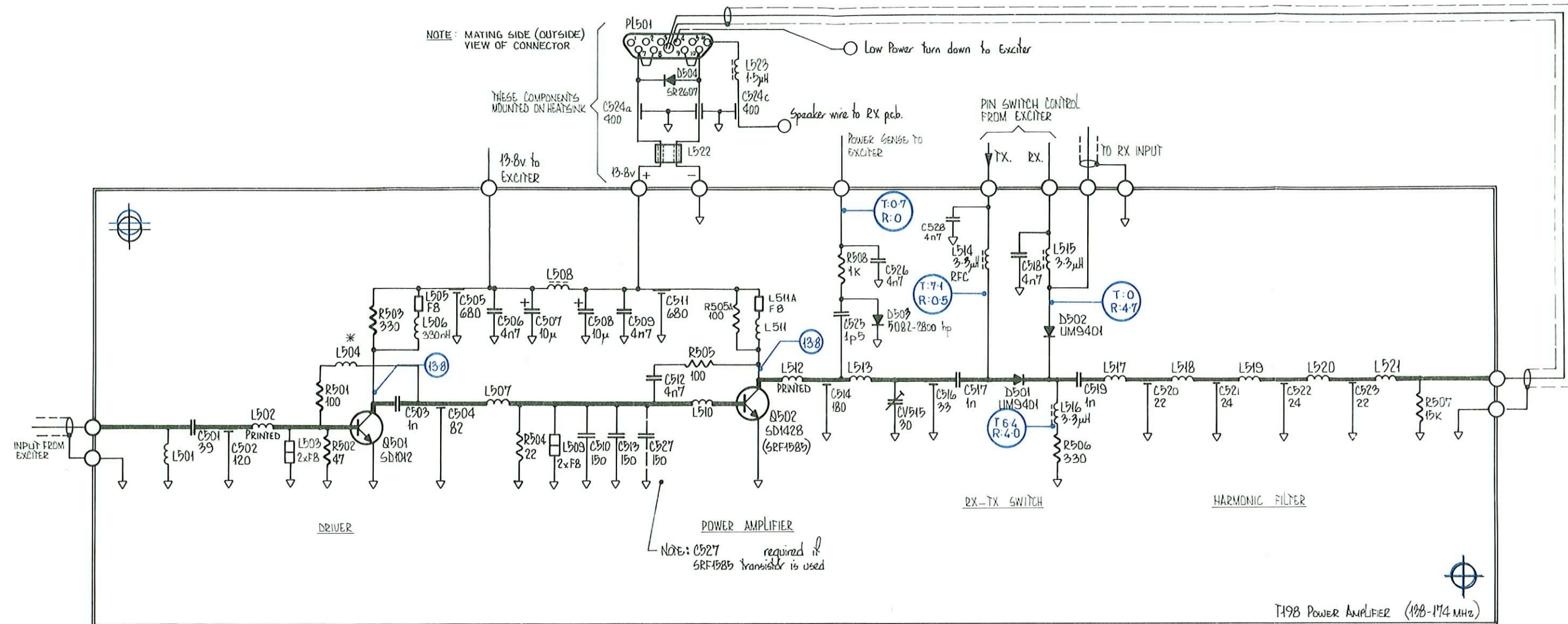
CONFIDENTIAL : THIS DOCUMENT IS NOT TO BE COPIED NOR THE CONTENTS PASSED ON TO ANY THIRD PARTY WITHOUT THE CONSENT OF TAIT ELECTRONICS LTD

SCALE : MATERIAL : FINISH : GEN. LIMITS :

ISSUE	AMENDMENTS	DRN	CHKD	APVD	DATE
1	ORIGINAL WORK UP	WWW	AND	AND	1/1/73

CIRCUIT DIAGRAM-T498 EXCITER





S.I.T. \* L504 used to increase driver gain only if output power is less than 30 watts when the input power is: ——— 350 mW

○ DC MEASUREMENT CONDITIONS:  
NO CRYSTAL FITTED  
METER IMPEDANCE 10 MEGOHMS  
T: DC VOLTAGE ON 'TRANSMIT'  
R: DC VOLTAGE ON 'RECEIVE'

SCALE :  
MATERIAL :  
FINISH :  
GEN. LIMITS :

ISSUE	AMENDMENTS	DRN	CHKD	APVD	DATE	ISSUE	AMENDMENTS	DRN	CHKD	APVD	DATE
G	CH N 2004 (#L504 note altered 102-052 (same))	W.W.	ST	MP	2/3/82	A	ORIGINAL	W.A.J.W.	Q.V.	Q.V.	21.3.78
H	Ch N 121511 R508, C525 value changed	GAH	W	W	2/15/81	B	CH N 895; C527, C528 added	W.A.J.W.	Q.V.	Q.V.	6.4.77
						C	CH N 984 C528 removed	W.A.J.W.	Q.V.	Q.V.	2.7.77
						D	CH N 1170 Add Note	R.V.B.	Q.V.	Q.V.	5.2.80
						E	CH N 1210 Change L511 Add C528	R.V.B.	Q.V.	Q.V.	27.9.80
						F	CH N 1231 add L506 value	GAH	Q.V.	Q.V.	31.11.77

CIRCUIT DIAGRAM — T498 POWER AMPLIFIER  
(138-174 MHz) — T498 POWER AMPLIFIER

**TAIT** TAIT ELECTRONICS LTD  
DRAWING NUMBER **A2 C175** ISSUE **ABZABZABZ**

