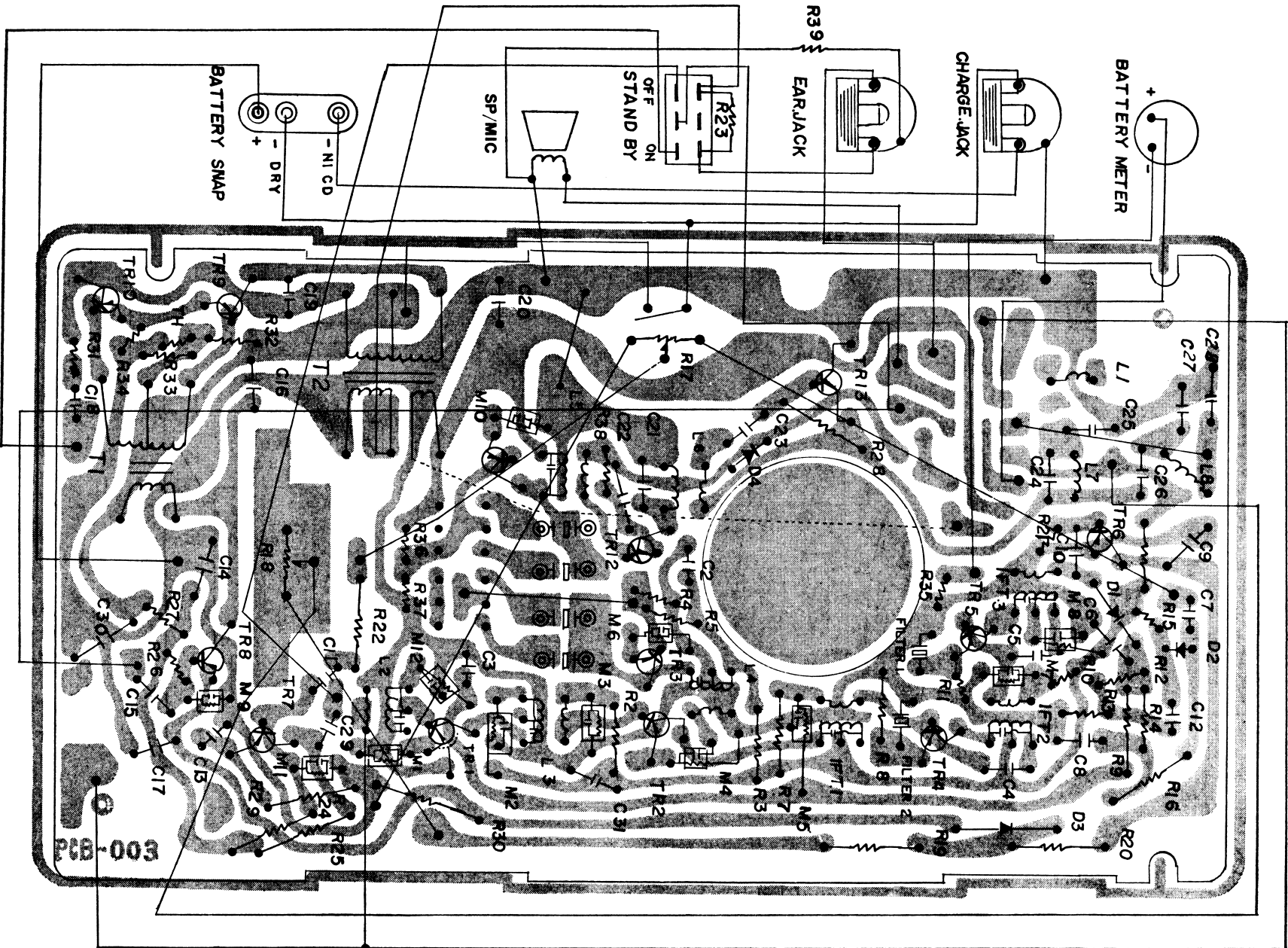
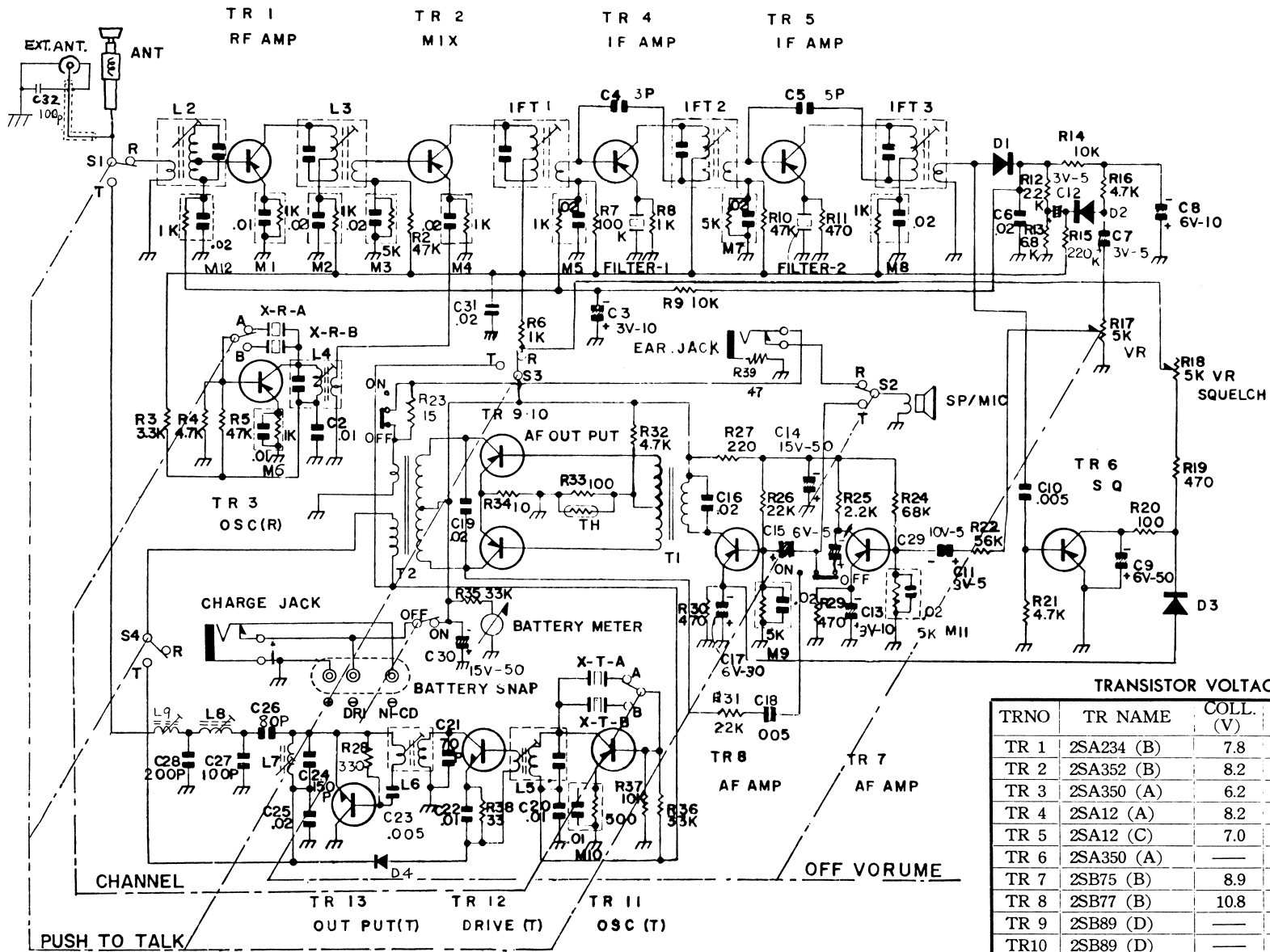


BOTTOM VIEW OF PRINTED CIRCUIT BOARD



SCHEMATIC DIAGRAM



TRANSISTOR VOLTAGE

| TRNO | TR NAME | COLL. (V) | BASE (V) | EMITT. (V) |
|------|---------------|-----------|----------|------------|
| TR 1 | 2SA234 (B) | 7.8 | 0.65 | 0.41 |
| TR 2 | 2SA352 (B) | 8.2 | 0.77 | 0.65 |
| TR 3 | 2SA350 (A) | 6.2 | 0.59 | 0.43 |
| TR 4 | 2SA12 (A) | 8.2 | 0.72 | 0.58 |
| TR 5 | 2SA12 (C) | 7.0 | 0.71 | 0.57 |
| TR 6 | 2SA350 (A) | — | — | — |
| TR 7 | 2SB75 (B) | 8.9 | 0.69 | 0.57 |
| TR 8 | 2SB77 (B) | 10.8 | 2.10 | 2.10 |
| TR 9 | 2SB89 (D) | — | — | — |
| TR10 | 2SB89 (D) | — | — | — |
| TR11 | 2SA350 (T) | — | — | — |
| TR12 | 2SC283 (B) ep | — | — | — |
| TR13 | 2SC116 (T) | — | — | — |