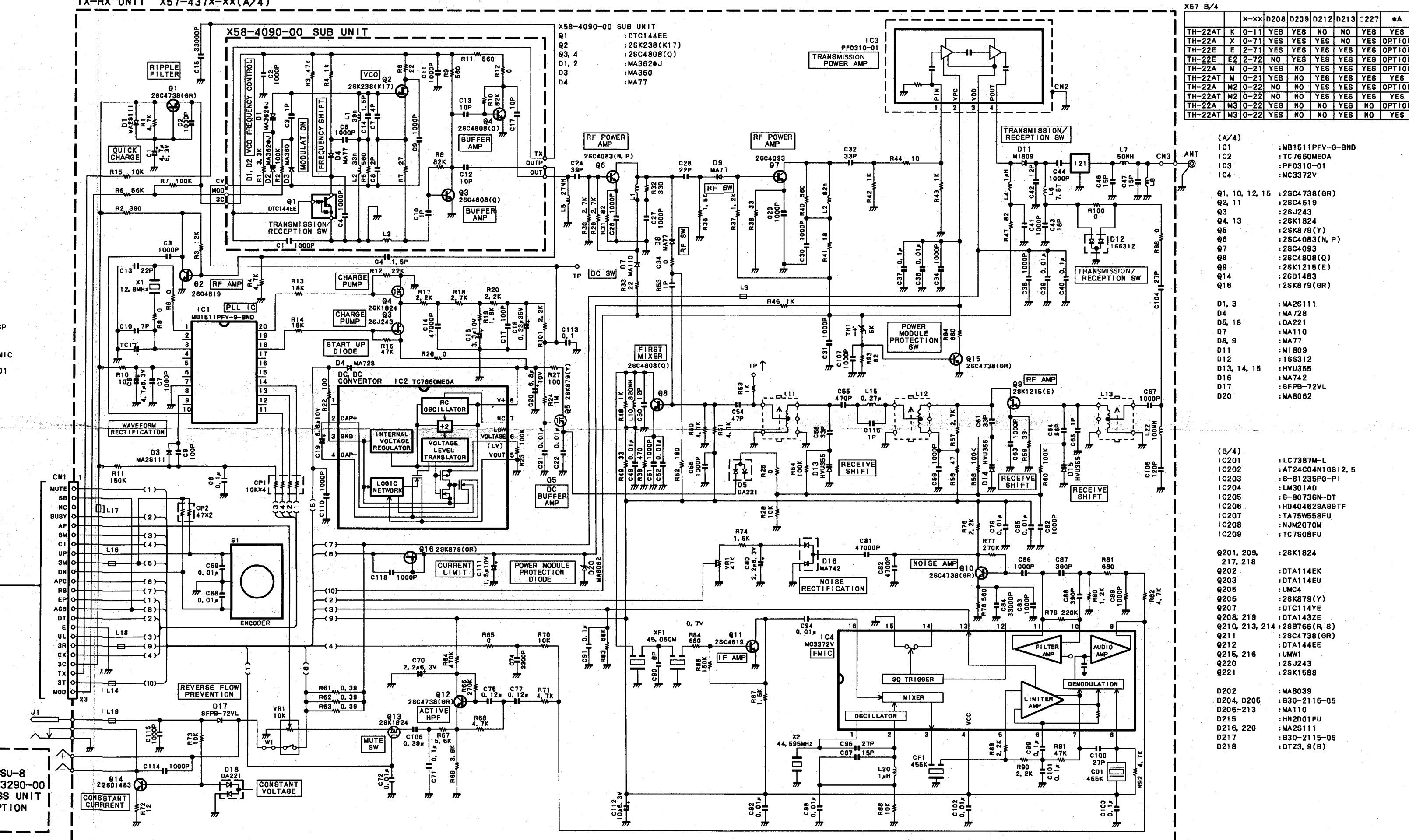
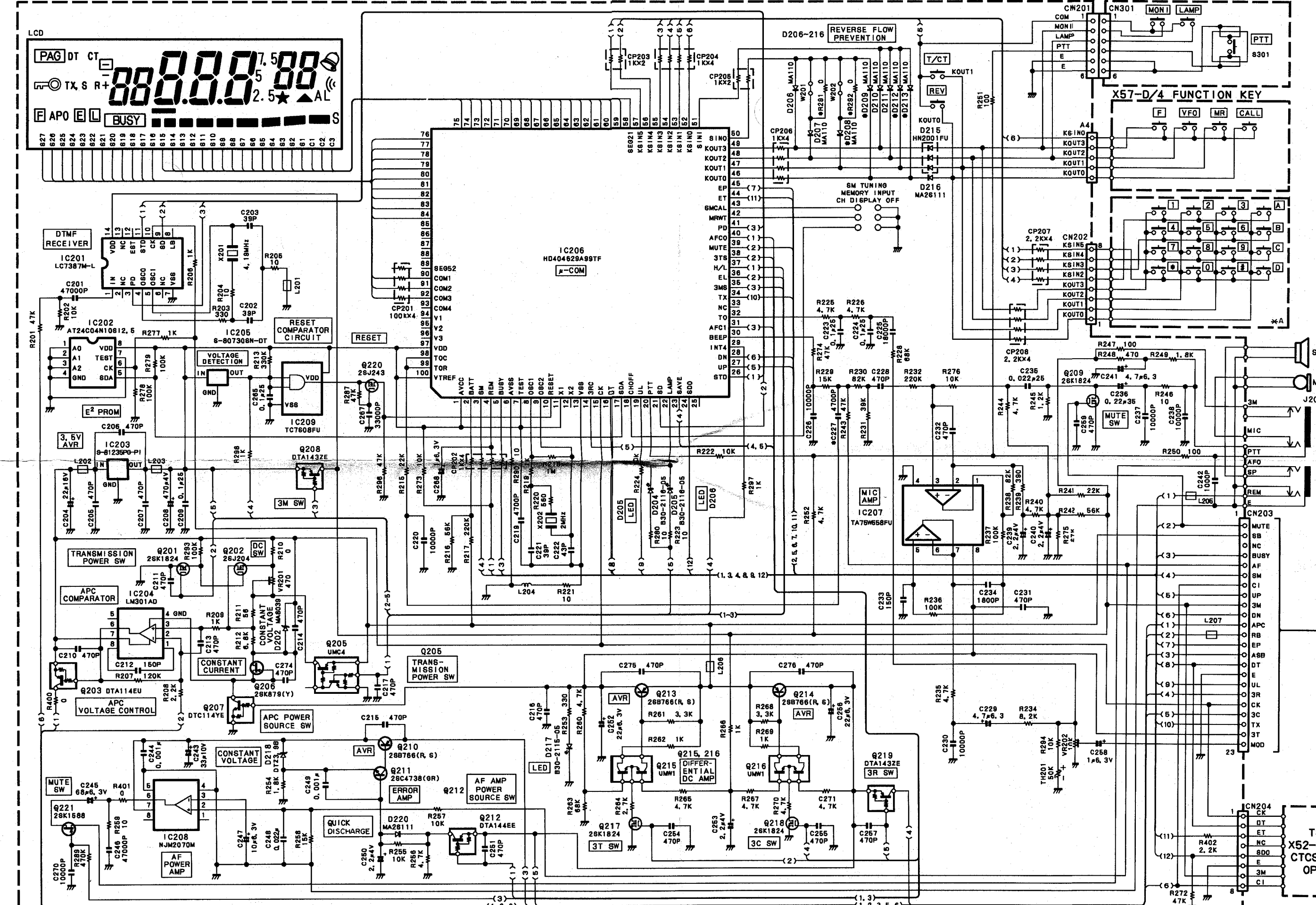


TH-22A/22AT/22E SCHEMATIC DIAGRAM



TH-22A	K	Q-11	YES	YES	NO	NO	YES	YES
TH-22A	X	Q-71	YES	YES	NO	NO	YES	OPTION
TH-22A	E	2-71	YES	YES	YES	YES	YES	OPTION
TH-22E	E	2-72	NO	YES	YES	YES	YES	OPTION
TH-22A	M	Q-21	YES	NO	YES	YES	YES	OPTION
TH-22AT	M	Q-21	YES	NO	YES	YES	YES	YES
TH-22A	M	2-22	NO	NO	YES	YES	YES	OPTION
TH-22AT	M	2-22	NO	NO	YES	YES	YES	YES
TH-22A	M	3-22	YES	NO	NO	YES	NO	OPTION
TH-22AT	M	3-22	YES	NO	NO	YES	NO	YES

- (A/4)
- IC1 : MB1511PFV-G-BND
 - IC2 : TC76060EA
 - IC3 : PF0310-01
 - IC4 : MC3372V
 - Q1, 10, 12, 15 : 28C4738(OR)
 - Q2, 11 : 28C4619
 - Q3 : 28U243
 - Q4, 13 : 28K1824
 - Q5 : 28K879(Y)
 - Q6 : 28C4083(N, P)
 - Q7 : 28C4093
 - Q8 : 28C4808(Q)
 - Q9 : 28K1215(E)
 - Q14 : 28D1483
 - Q16 : 28K879(OR)
 - D1, 3 : MA2511
 - D4 : MA728
 - D5, 18 : DA221
 - D7 : MA110
 - D8, 9 : MA77
 - D11 : MI809
 - D12 : 168312
 - D13, 14, 15 : HVU355
 - D16 : MA742
 - D17 : 5FFB-72VL
 - D20 : MA8062

- (B/4)
- IC1 : LC7387M-L
 - IC2 : AT24C04N10812.5
 - IC3 : S-81235P0-P1
 - IC4 : LM301AD
 - IC205 : S-80738M-DT
 - IC206 : HD04629A99TF
 - IC207 : TAT79658FU
 - IC208 : NJM2070M
 - IC209 : TC7608FU
 - Q201, 209 : 28K1824
 - Q217, 218 : 28K1824
 - Q202 : DTA114EK
 - Q203 : DTA114EU
 - Q205 : UMCA
 - Q206 : 28K879(Y)
 - Q207 : DTC114YE
 - Q208, 219 : DTA143ZE
 - Q210, 213, 214 : 28B765(R, S)
 - Q211 : 28C4738(OR)
 - Q212 : DTA144EE
 - Q215, 216 : UMW1
 - Q220 : 28U243
 - Q221 : 28K1688
 - D202 : MA8039
 - D204, D205 : B30-2115-05
 - D206-213 : MA110
 - D215 : HN201FU
 - D216, 220 : MA2511
 - D217 : B30-2115-05
 - D218 : DT23, 9(B)

Note: Circuits are subject to change without notice due to advancements in technology.