

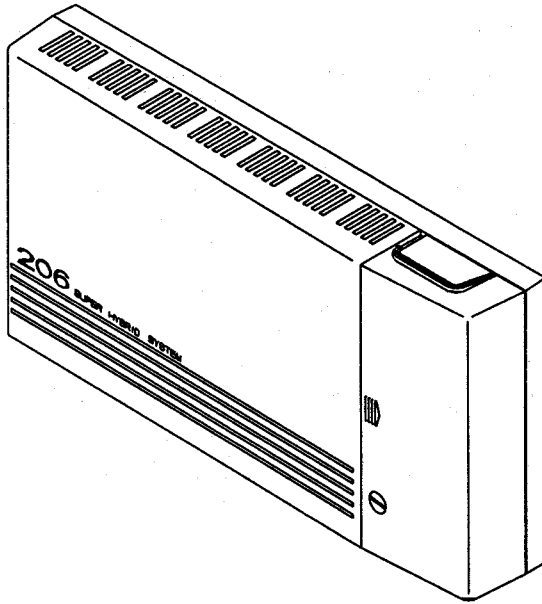
Service Manual

and Technical Guide

SUPER HYBRID SYSTEM

KX-T206SBX

KX-T206HBX



SPECIFICATIONS
NAME & LOCATION
SYSTEM CONNECTION DIAGRAM
DISASSEMBLY INSTRUCTIONS
IC DATA
BLOCK DIAGRAM
SCHEMATIC DIAGRAMS
CABINET & ELECTRICAL PARTS LOCATION
ACCESSORIES & PACKING MATERIALS
REPLACEMENT PARTS LIST

Panasonic

©1995 Kyushu Matsushita Electric Co., Ltd.
All rights reserved. Unauthorized copying and distribution is a violation of law.

SPECIFICATIONS

GENERAL DESCRIPTIONS

- | | | |
|-----------------------------|--|--|
| 1. Capacity | CO line | 2 |
| | Extension | 6 |
| 2. Control Method | Stored Program CPU: 8 bits CPU
Control ROM: 64 KB, Control RAM: 8 KB | |
| 3. Switching Method | Space Division CMOS Crosspoint Switch | |
| 4. Power Supplies | Primary | AC 110-240 V, 50/60 Hz |
| | Secondary | Circuit Volt: +5V, +15 V, +30 V |
| | Power Failure | CO 2 assigned to extension 22 |
| 5. Dialing | Outward | Dial Pulse 10 PPS
Tone Dial |
| | Internal | Dial Pulse 10 PPS, 20 PPS
Tone Dial |
| | Mode Conversion | DP-DTMF, DTMF-DP |
| 6. Connector | CO | 4-pin connector |
| | Extension | 4-pin connector |
| | Doorphone | 4-pin connector |
| 7. EXT Connection | Cable | 1 pair wire (single line telephone)
2 pair wire (proprietary telephone) |
| 8. Intercom paths | 2 | |
| 9. Dimensions | 317(W) × 63(H) × 172(D) mm
(12 ¹⁵ / ₃₂ " × 2 ¹⁵ / ₃₂ " × 6 ²⁵ / ₃₂ ") | |
| 10. Weight | 1.3kg (2 lb 13.9 oz) | |
| 11. Power Consumption | 36W | |

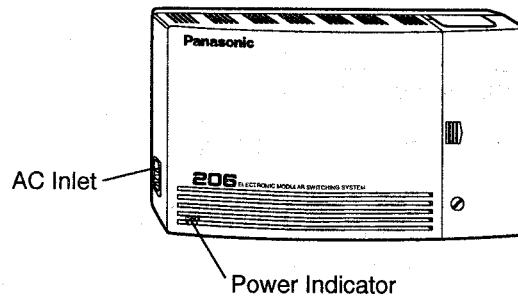
CHARACTERISTICS

- | | | |
|---|--|------------------------|
| 1. Station Loop Limit | Proprietary telephone | 40 ohms |
| | Single line telephone | 600 ohms including set |
| | Doorphone | 20 ohms |
| 2. Minimum Leak Resistance | 15000 ohms | |
| 3. Maximum Number of Station Instruments per line | 1 (proprietary telephone) or 3 (single line telephone) | |
| 4. Ring Voltage | 90 Vrms at 25 Hz depends on Ringing Load | |
| 5. Primary Power | AC 110-240 V, 50/60 Hz, 0.5 A maximum | |
| 6. Central Office Loop Limit | 1600 ohms maximum | |
| 7. Environmental Requirements ... | 0-40°C, 10%-90% (Humidity) | |
| 8. Hookswitch Flash Timing Range | 90 - 1000 msec | |

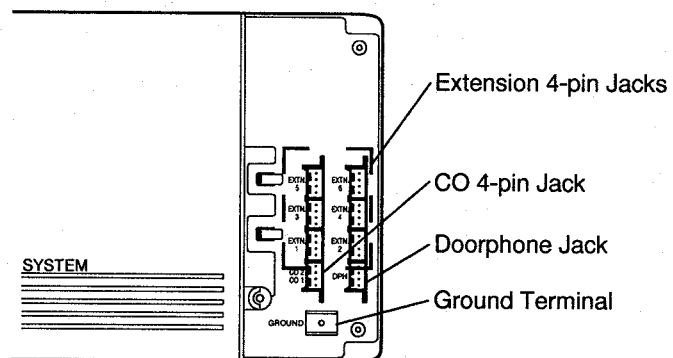
Design and specifications are subject to change without notice.

OVERVIEW OF THE MAIN UNIT

NAME AND LOCATION



INSIDE VIEW OF THE MAIN UNIT



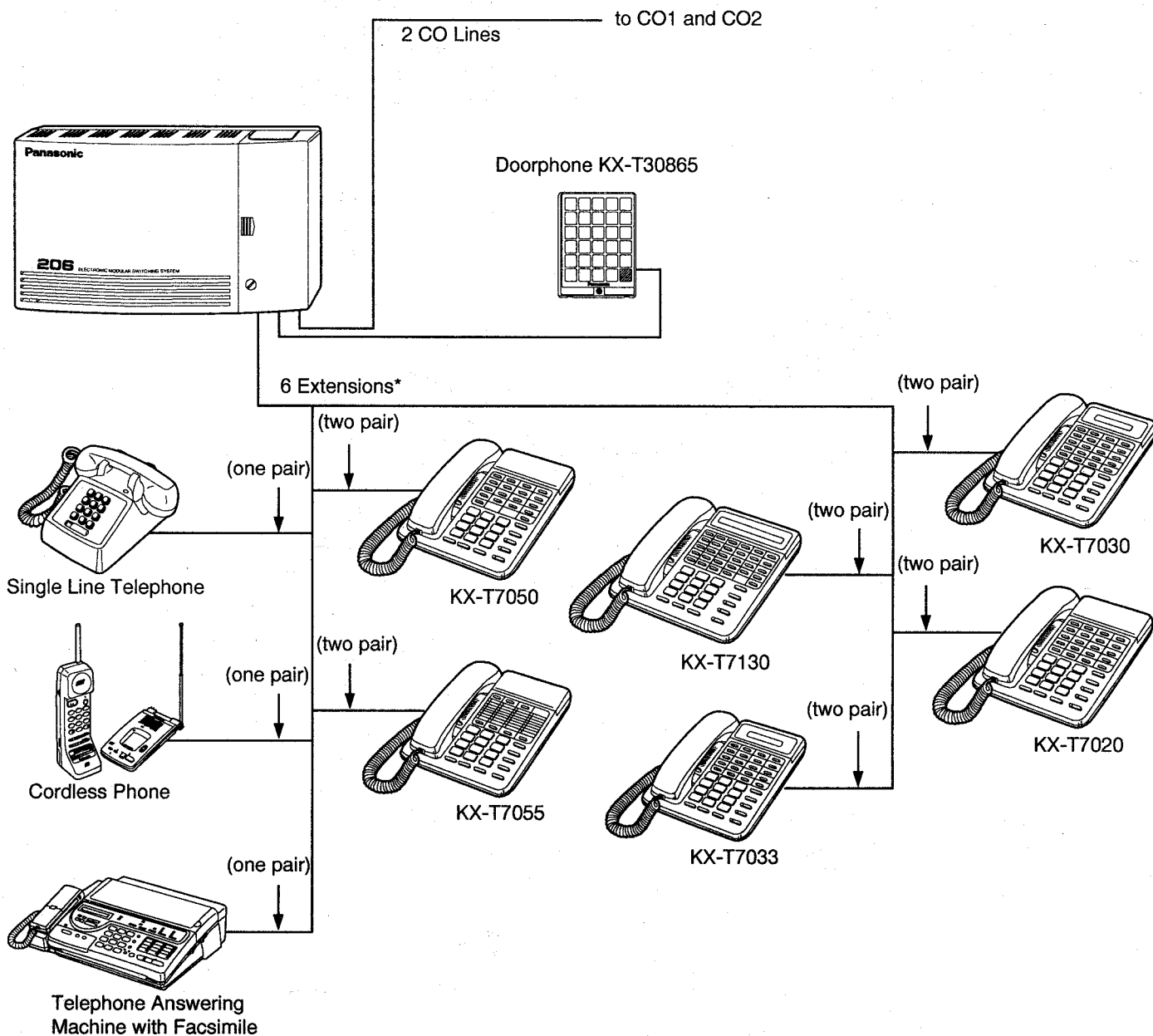
FOR SERVICE TECHNICIANS

ICs and LSIs are vulnerable to static electricity.

When repairing, the following precautions will help prevent recurring malfunctions.

- 1) Cover the plastic parts boxes with aluminum foil.
- 2) Ground the soldering irons.
- 3) Use a conductive mat on the worktable.
- 4) Do not touch IC or LSI pins with bare fingers.

SYSTEM CONNECTION DIAGRAM

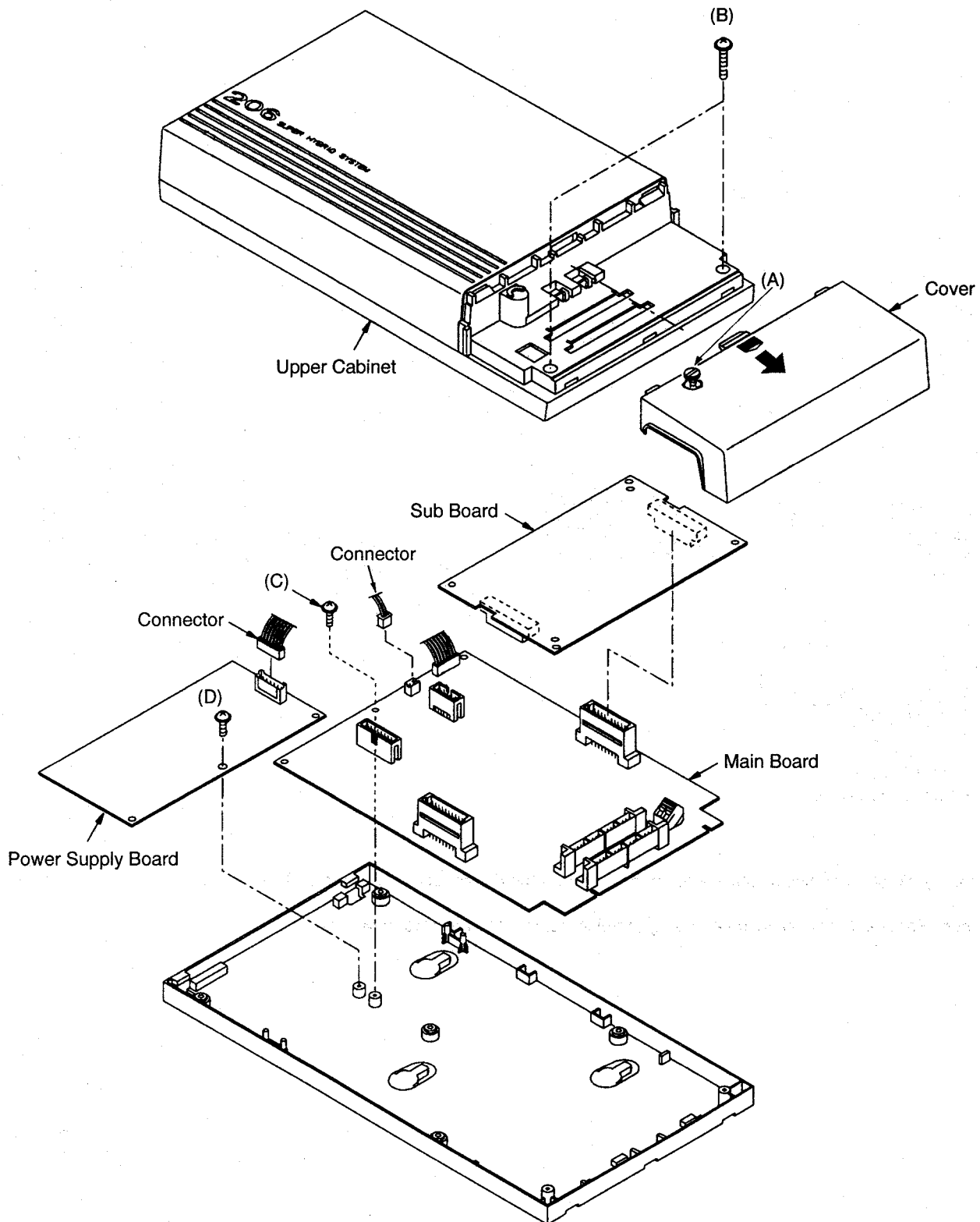


*One hybrid port and five single-line telephone ports. A hybrid port accepts either a PT or SLT.

Notes: For details of installation and programming, refer to the Installation Manual.

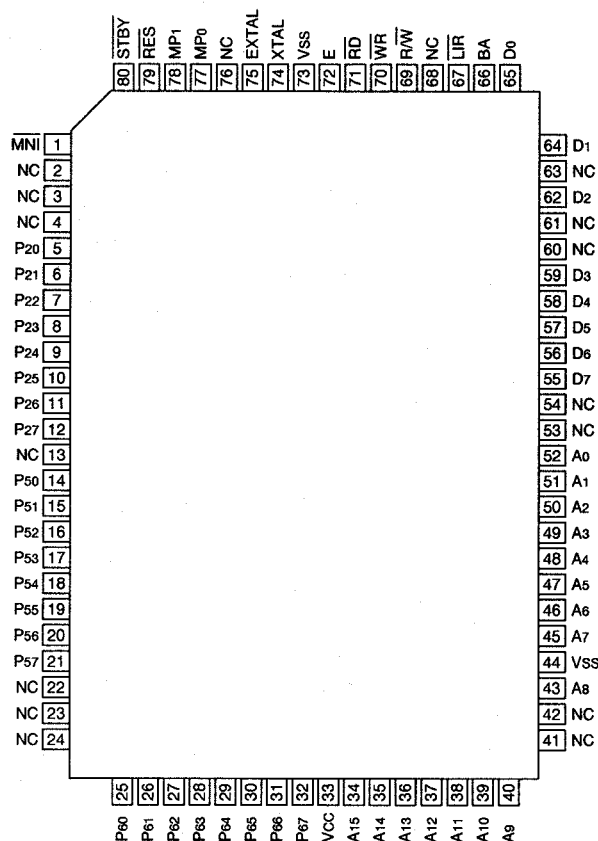
DISASSEMBLY INSTRUCTIONS

1. Loosen the screw (A).
2. Slide the cover to the direction of an arrow while pressing the marked position.
3. Remove the 2 screws (B).
4. Remove the upper cabinet.
5. Remove the sub board.
6. Remove the screw (C).
7. Remove the main board.
8. Remove the screw (D).
9. Remove the power supply board.



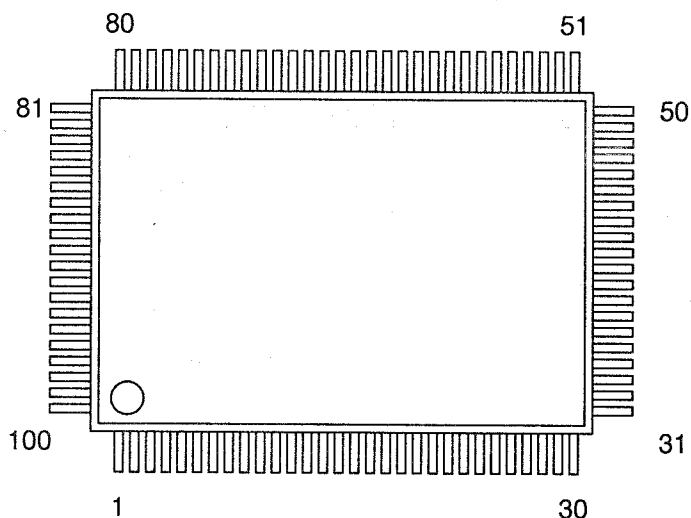
IC DATA

1. IC100



Pin NO.	Port	Name	I/O	Function	Operation	Initial Value
5	P20	DHK	I	Doorphone hook detection	1 : Hook detection	0
6	P21	BUSY	O	Current supply	1 : Voltage supply	0
7	P22	DISACE	O	DISA chip enable	0 : CE ON	1
8	P23	OGMP/R	O	OGM recording playback	1 : Playback · 0 : Recording	1
9	P24	DROP	O	Door opener control	1 : Open	0
10	P25	RESET	O	Recording IC reset	0 : Reset	1
11	P26	TONE1	O	TONE1-CO1 connection	0 : Connection	1
12	P27	TONE2	O	TONE2-CO2 connection	0 : Connection	1
14	P50	STD3	I	DISADTMF signal defection	1 : Detection	0
15	P51	ACPD	I	AC DOWN detection	1 : Detection	0
16	P52	(MR)				1
17	P53	HALT	I	Hold detection		1
18	P54	EOM	I	Recording end signal	0 : Recording end	1
19	P55	TEST2	I	Test terminal 2	0 : Detection	1
20	P56	STD1	I	DTMF signal detection 1	1 : Detection	0
21	P57	STD2	I	DTMF signal detection 2	1 : Detection	0
25	P60	CLR	O	Data count	0 : Data clear	
26	P61	RXD	I	Data transmission (Receive)	1 : OFF 0 : ON	
27	P62	TXD	O	Data transmission (Transmit)	1 : ON 0 : OFF	0
28	P63	25Hz	O	Extension call signal	0, 1 / 40ms	0
29	P64	HOUT	O	Hold in control output		0
30	P65	DISA	I	DISA CARD set/non detection	0 : set 1 : non	1
31	P66	BRK	O	Over current control output	0 : OL signal is H	1
32	P67	TEST1	O	Test terminal 1		0

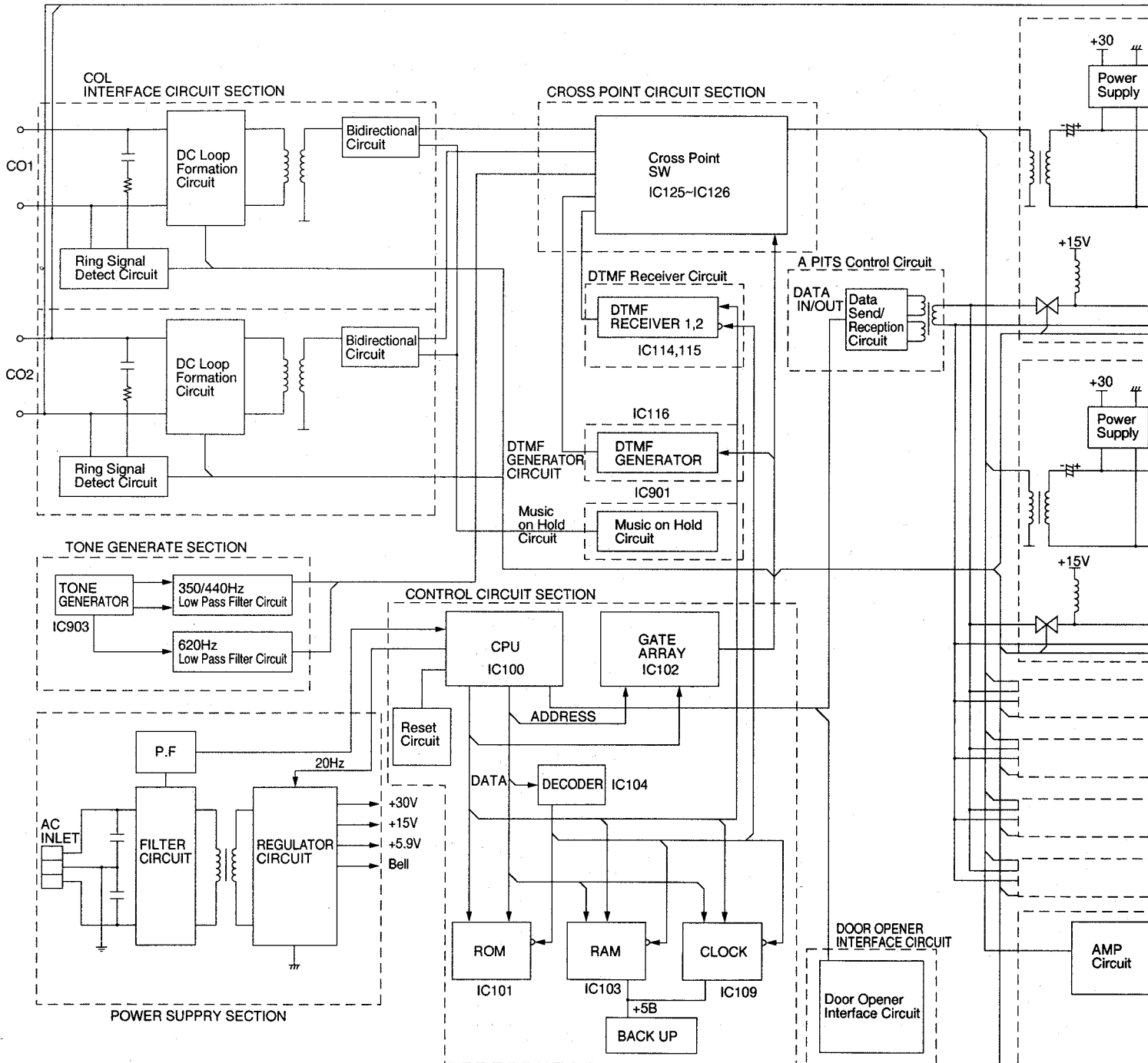
2. IC102



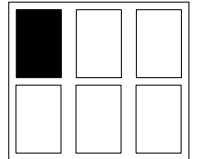
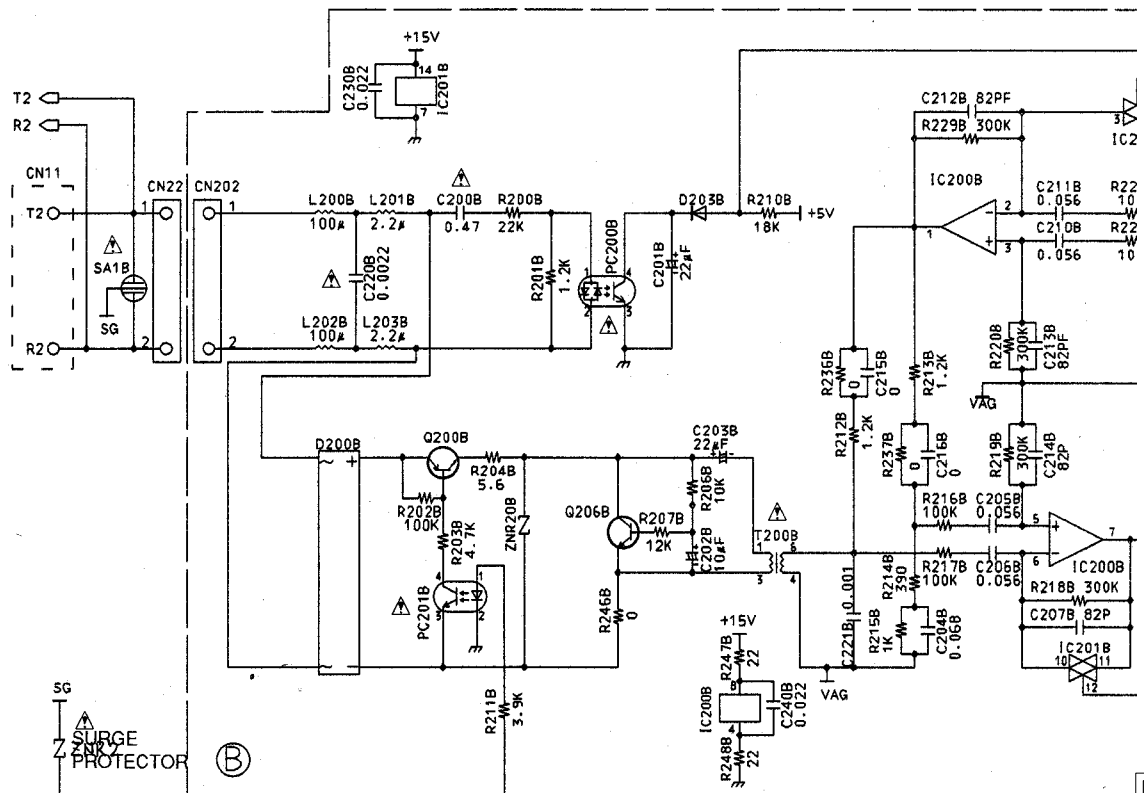
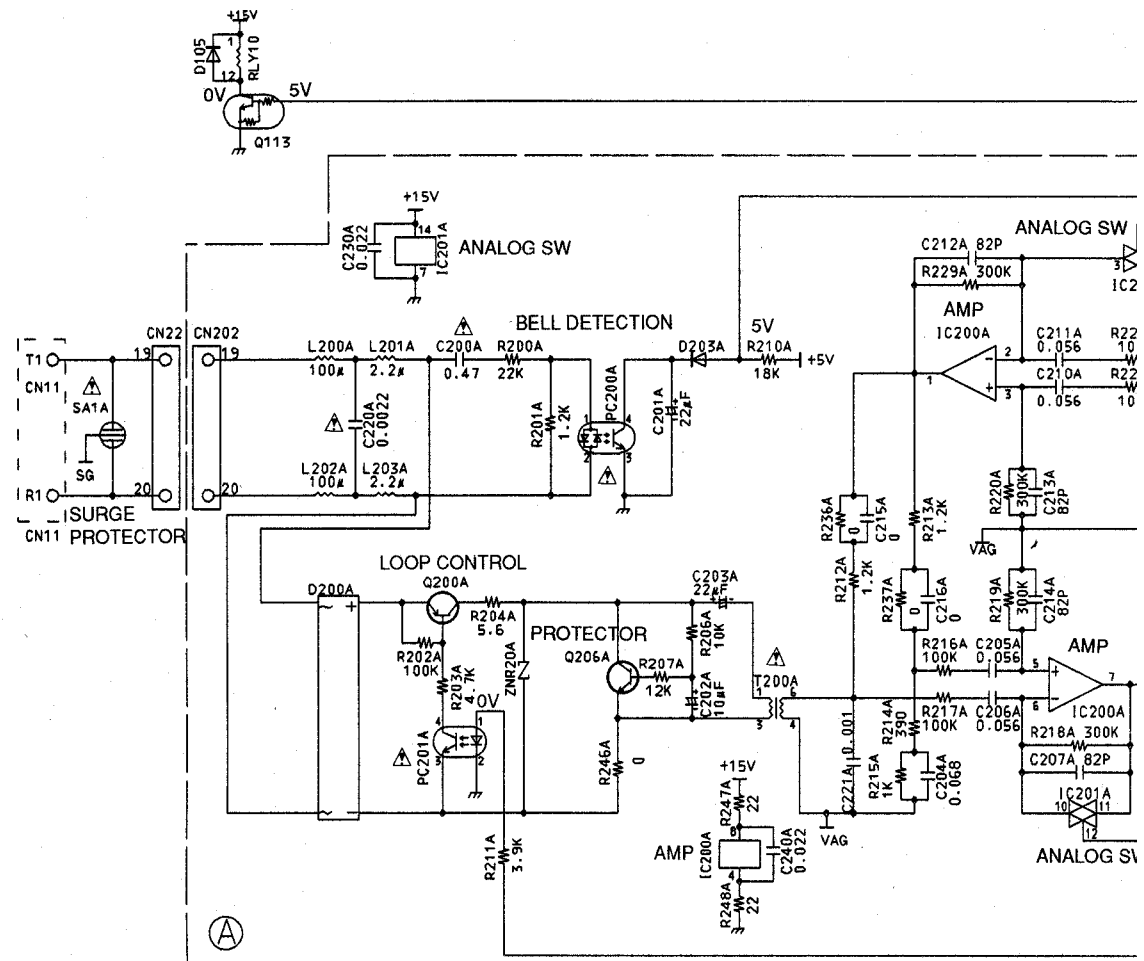
Pin NO.	Port	Name	I/O	Function	Operation	Initial Value
20	P00	COL1	O	DTMF generator		
21	P01	COL2	O	DTMF generator		
22	P02	COL3	O	DTMF generator		
23	P03	ROW1	O	DTMF generator		
24	P04	ROW2	O	DTMF generator		
25	P05	ROW3	O	DTMF generator		
26	P06	ROW4	O	DTMF generator		
27	P07					
30	P10	A	O	X-POINT address		
31	P11	B	O	X-POINT address		
32	P12	C	O	X-POINT address		
33	P13	D	O	X-POINT address		
34	P14	E	O	X-POINT address		
35	P15	STB0	O	X-POINT address		
36	P16	XD0	O	X-POINT data	1 : ON 0 : OFF	
37	P17	XD1	O	X-POINT data		
38	P20	VOX	I		0 : ON 1 : OFF	
39	P21					
41	P22		I			
42	P23		I			
43	P24		I			
44	P25		I			
45	P26		I			
46	P27	PDRLY	O		0 : OFF 1 : ON	
47	P30	AG1	O	EXT1-AG connection	0 : AG-ON 1 : AG-OFF	0
48	P31	AG2	O	EXT2-AG connection	0 : AG-ON 1 : AG-OFF	0
49	P32	AG3	O	EXT3-AG connection	0 : AG-ON 1 : AG-OFF	0

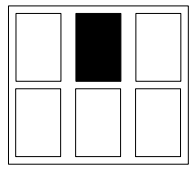
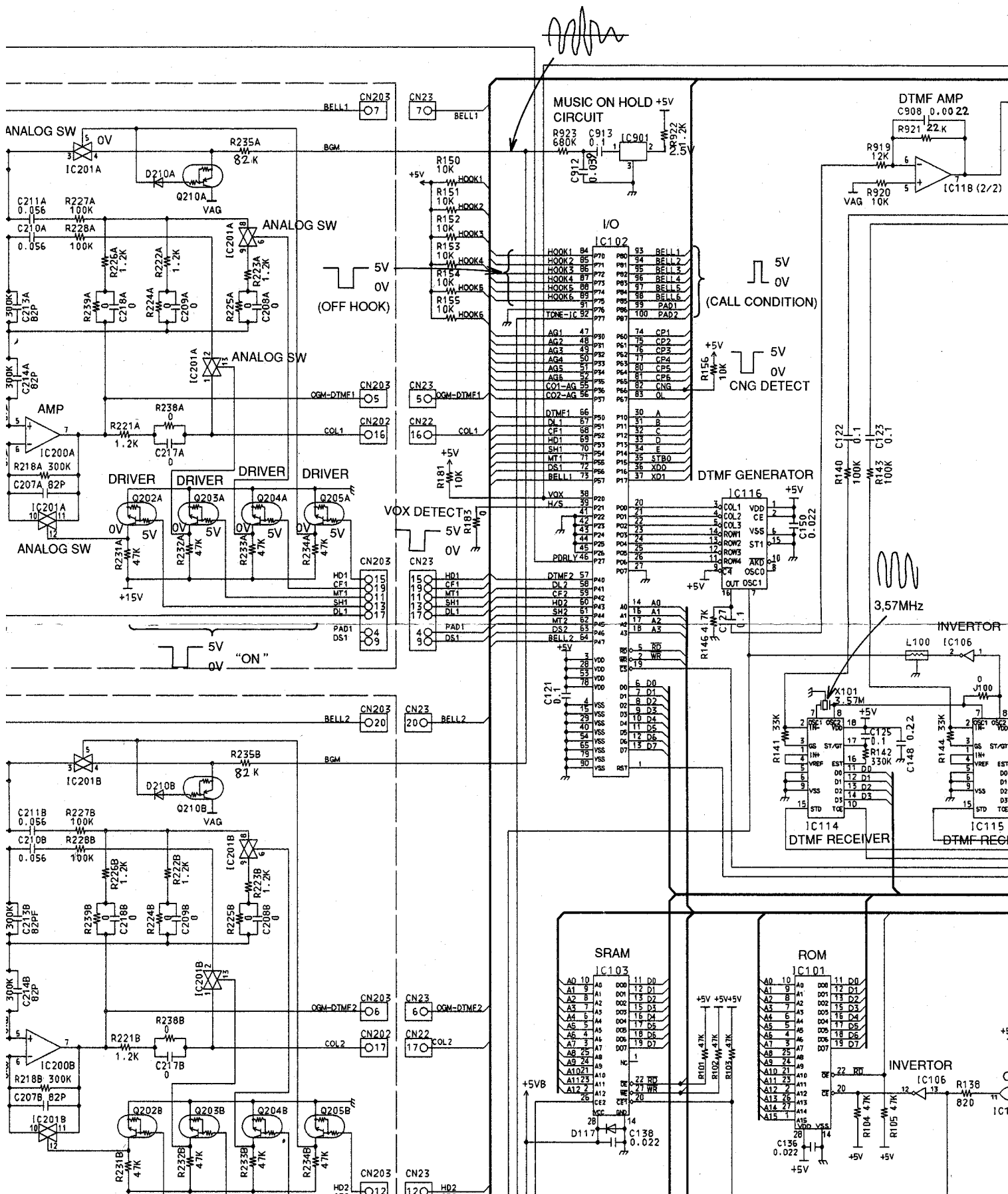
Pin NO.	Port	Name	I/O	Function	Operation	Initial Value
50	P33	AG4	O	EXT4-AG connection	0 : AG-ON 1: AG-OFF	0
51	P34	AG5	O	EXT5-AG connection	0 : AG-ON 1: AG-OFF	0
52	P35	AG6	O	EXT6-AG connection	0 : AG-ON 1: AG-OFF	0
55	P36	CO1-AG	O	CO1-AG connection	0 : AG-ON 1: AG-OFF	0
56	P37	CO2-AG	O	CO2-AG connection	0 : AG-ON 1: AG-OFF	0
57	P40	DTMF2	O	CNG/DTMF receive connection	0 : Connection	1
58	P41	DL2	O	Dial		0
59	P42	CF2	O	3 party communication		1
60	P43	HD2	O	Hold (Hold tone send)		1
61	P44	SH2	O	Gain SW (Shunt)		1
62	P45	MT2	O	Mute		1
63	P46	DS2	O	Dial Shunt		0
64	P47	BELL2	I	BELL / CPC · Current detection		0
66	P50	DTMF1	O	CNG/DTMF receive connection	0 : Connection	1
67	P51	DL1	O	Dial		0
68	P52	CF1	O	3 party communication		1
69	P53	HD1	O	Hold (Hold tone send)		1
70	P54	SH1	O	Gain SW (shunt)		1
71	P55	MT1	O	Mute		1
72	P56	DS1	O	Dial shunt		0
73	P57	BELL1	I	BELL / CPC · current detection		0
74	P60	CP1	O	Extension data communication CP Signal 1	0 : Connection	1
75	P61	CP2	O	Extension data communication CP Signal 2	0 : Connection	1
76	P62	CP3	O	Extension data communication CP Signal 3	0 : Connection	1
77	P63	CP4	O	Extension data communication CP Signal 4	0 : Connection	1
80	P64	CP5	O	Extension data communication CP Signal 5	0 : Connection	1
81	P65	CP6	O	Extension data communication CP Signal 6	0 : Connection	1
82	P66	CNG	I	CNG signal detection	1 : Detection	0
83	P67	OL	I	Over current detection	1 : Detection	0
84	P70	HK1	I	Extension hook detection 1	0 : Hook	1
85	P71	HK2	I	Extension hook detection 2	0 : Hook	1
86	P72	HK3	I	Extension hook detection 3	0 : Hook	1
87	P73	HK4	I	Extension hook detection 4	0 : Hook	1
88	P74	HK5	I	Extension hook detection 5	0 : Hook	1
89	P75	HK6	I	Extension hook detection 6	0 : Hook	1
91	P76	DOOR-AG	O	Doorphone AG connection	0 : AG Connection	1
92	P77	TONE-IC	O	Tone IC	0 : ON 1 : OFF	1
93	P80	RG1	O	Extension bell relay control 1	1 : Relay ON	0
94	P81	RG2	O	Extension bell relay control 2	1 : Relay ON	0
95	P82	RG3	O	Extension bell relay control 3	1 : Relay ON	0
96	P83	RG4	O	Extension bell relay control 4	1 : Relay ON	0
97	P84	RG5	O	Extension bell relay control 5	1 : Relay ON	0
98	P85	RG6	O	Extension bell relay control 6	1 : Relay ON	0
99	P86	PAD1	O	Pad output CO1	0 : Pad ON	1
100	P87	PAD2	O	Pad output CO2	0 : Pad ON	1

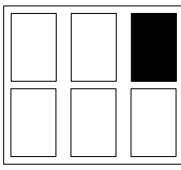
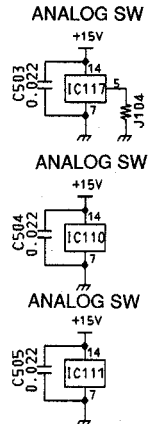
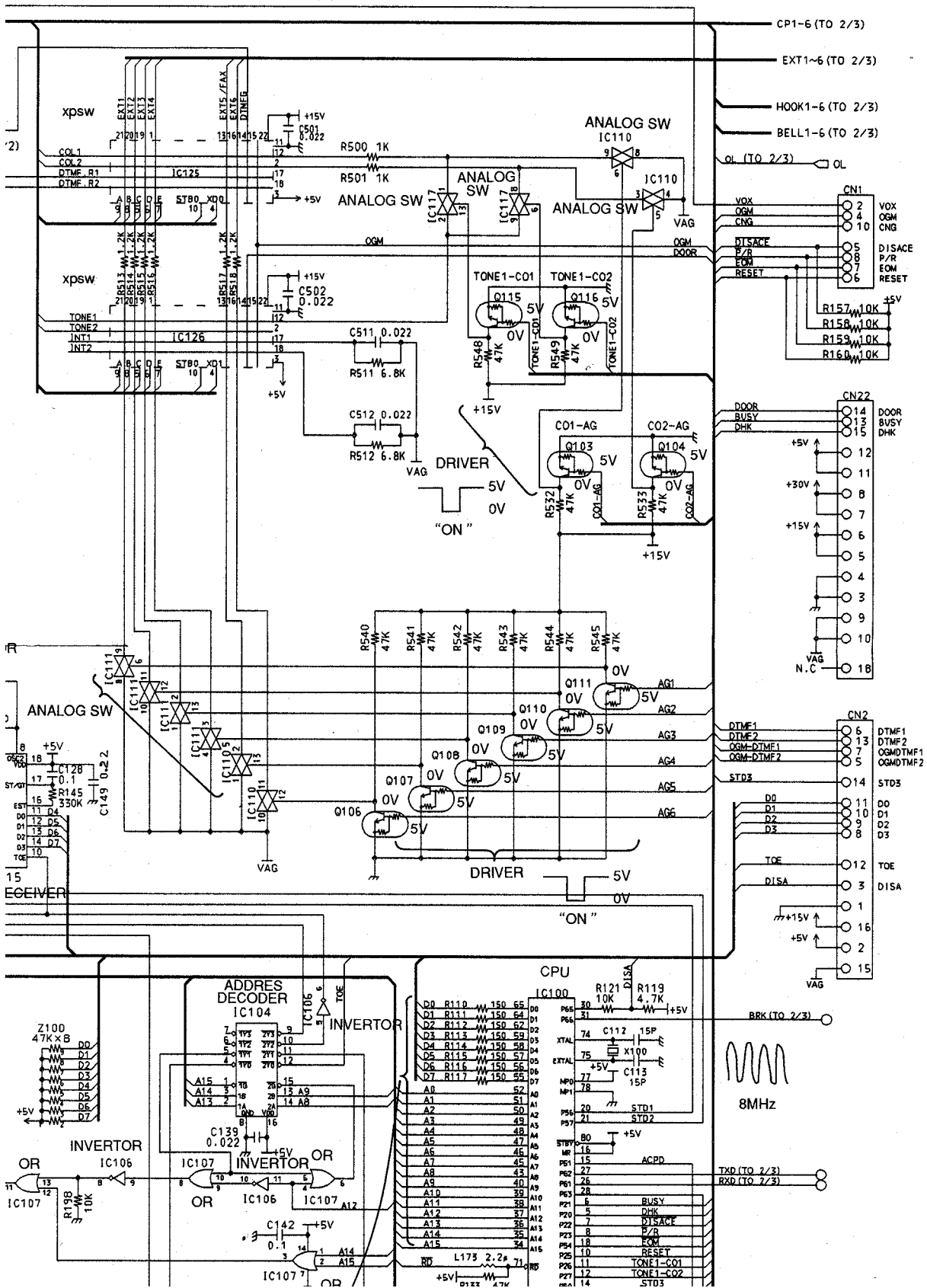
1. BLOCK DIAGRAM



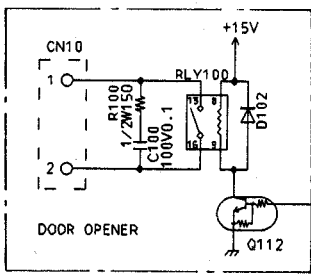
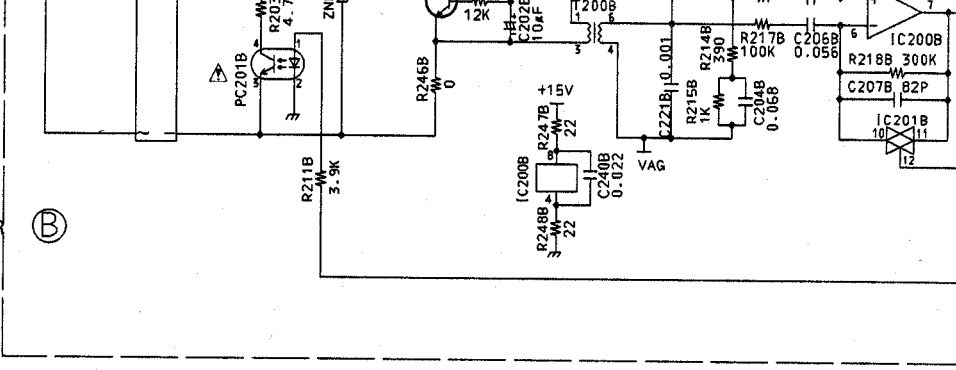
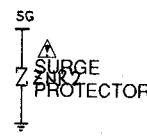
A
B
C
D
E
F
G
H



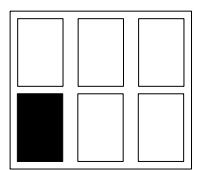
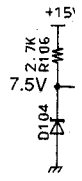
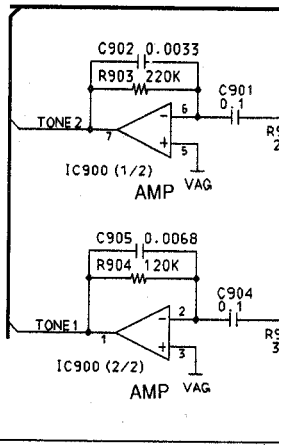


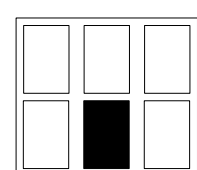
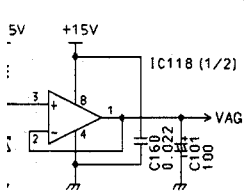
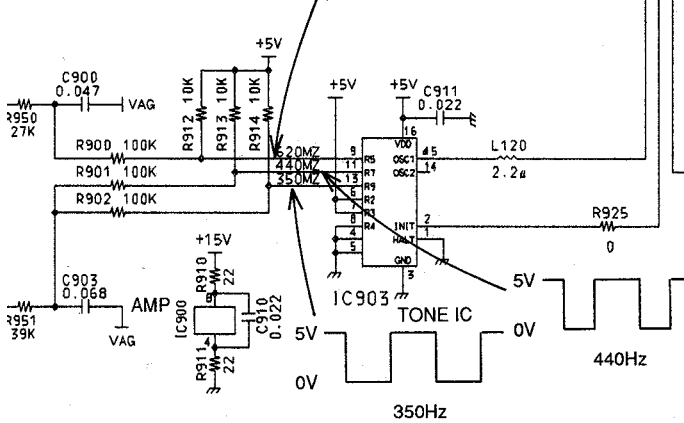
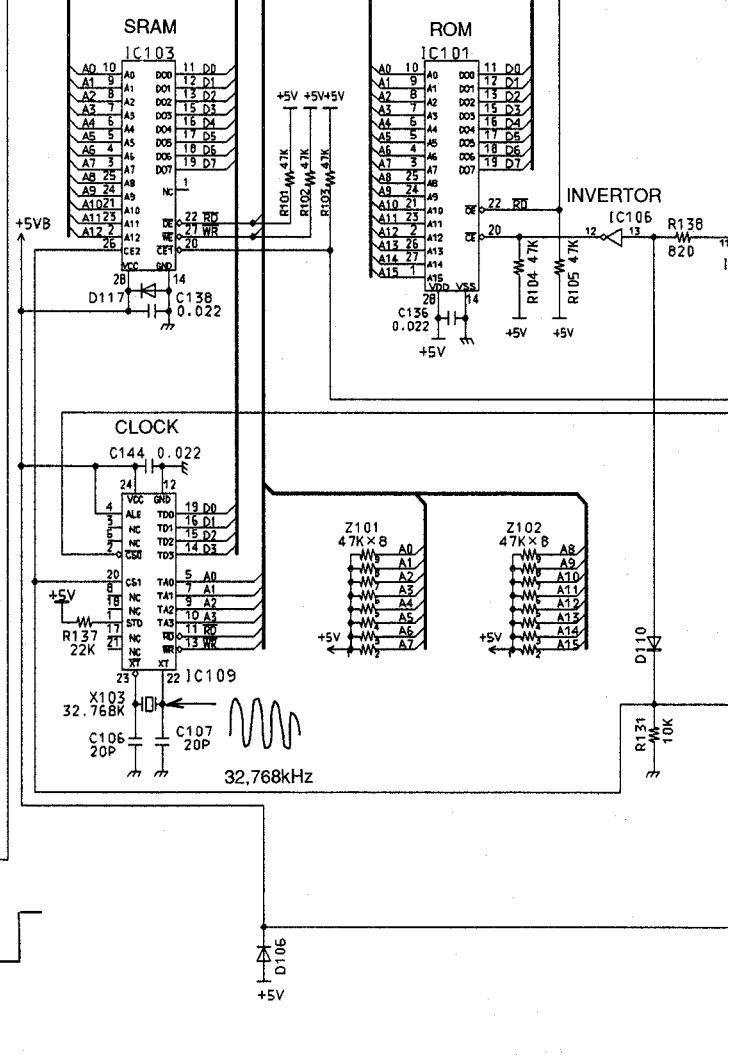
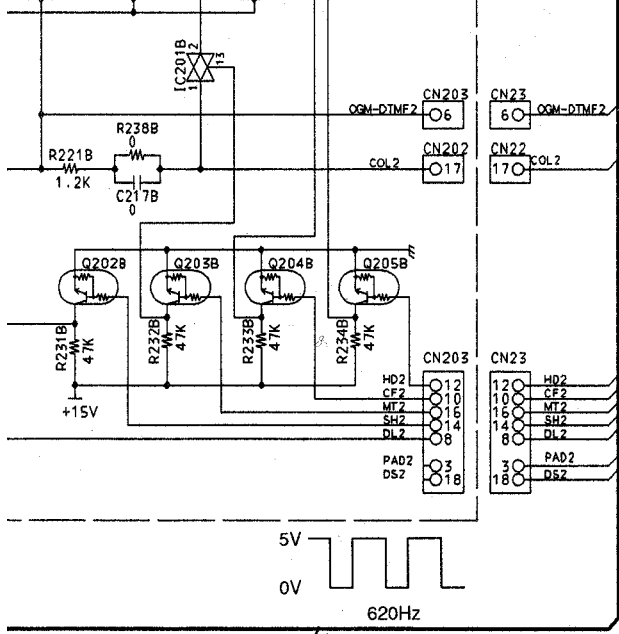


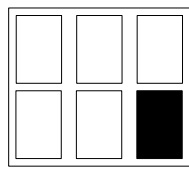
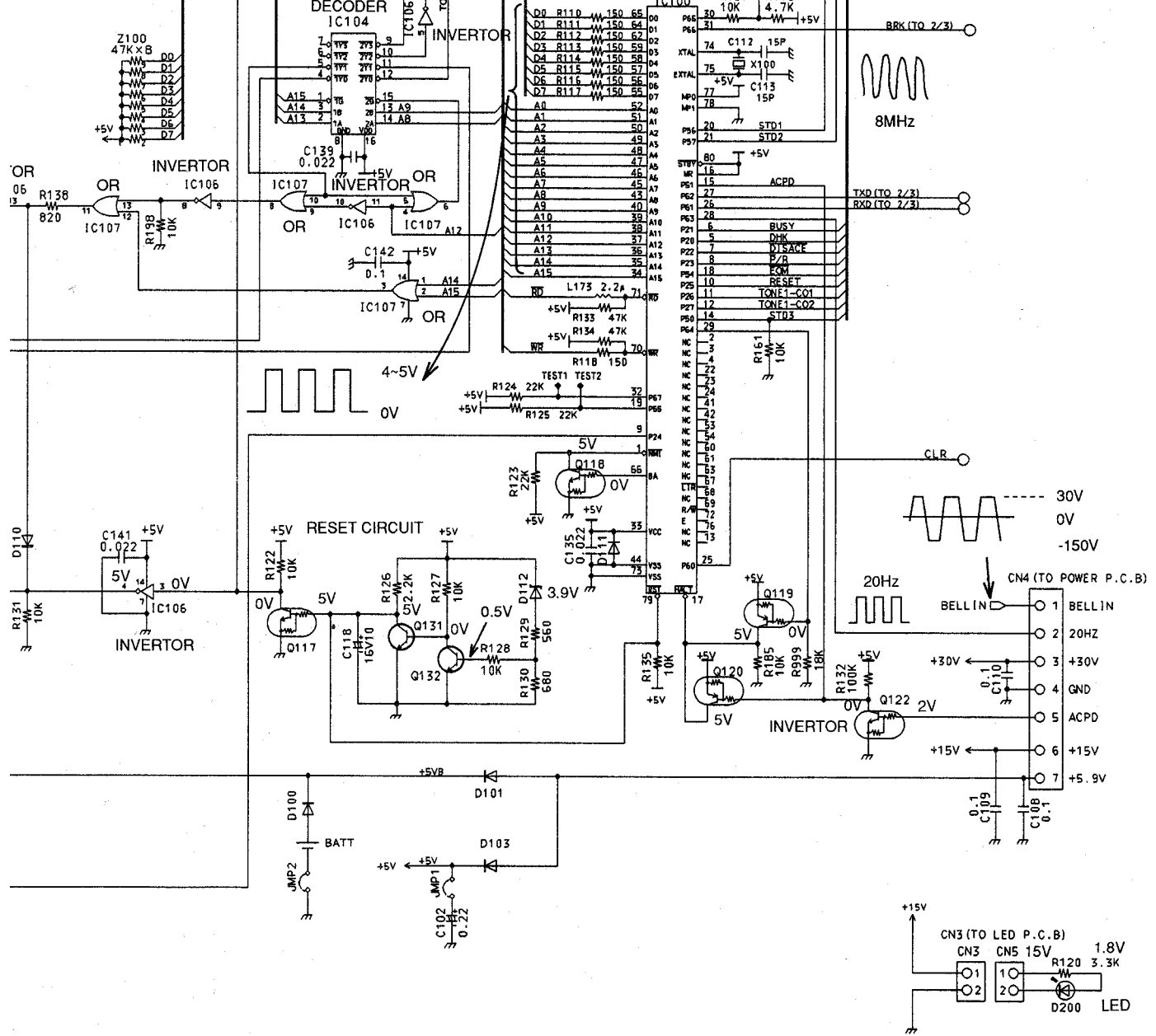
H
I
J
K
L
M



KX-T206HBX only

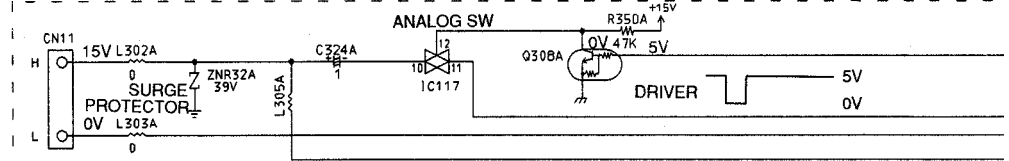




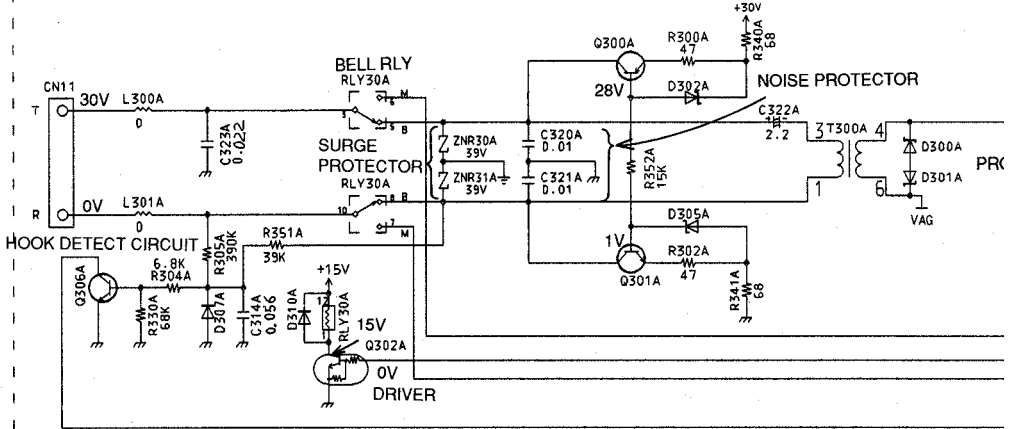


A

EXT1



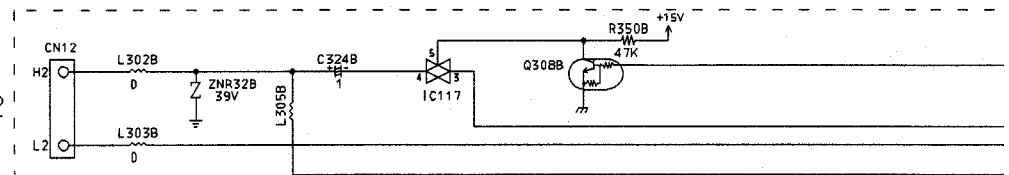
B



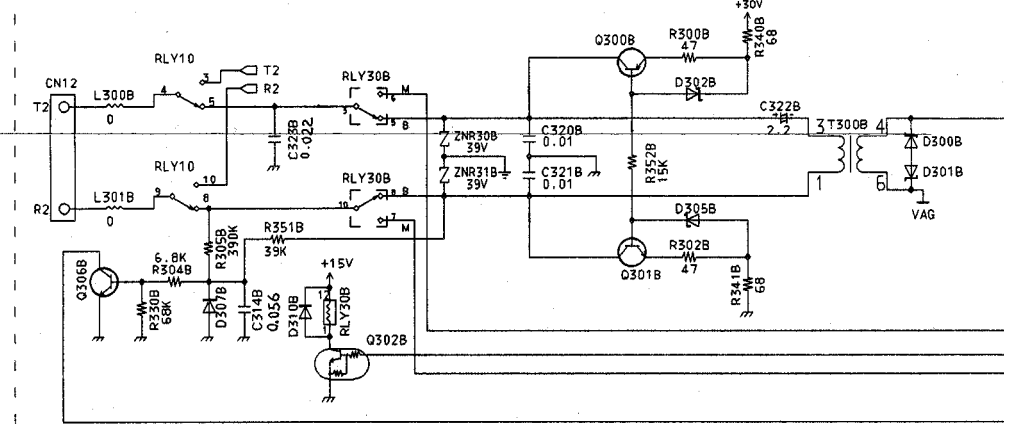
C

D

EXT2



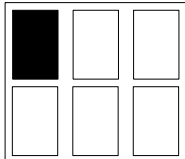
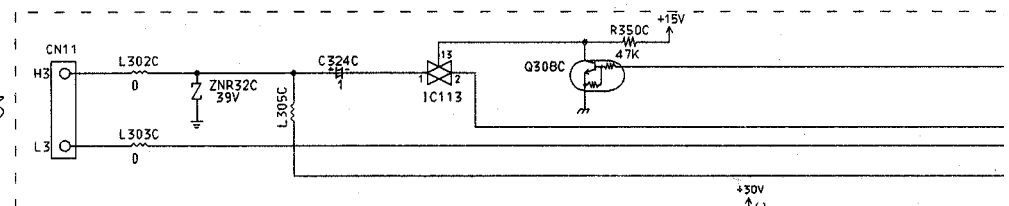
E

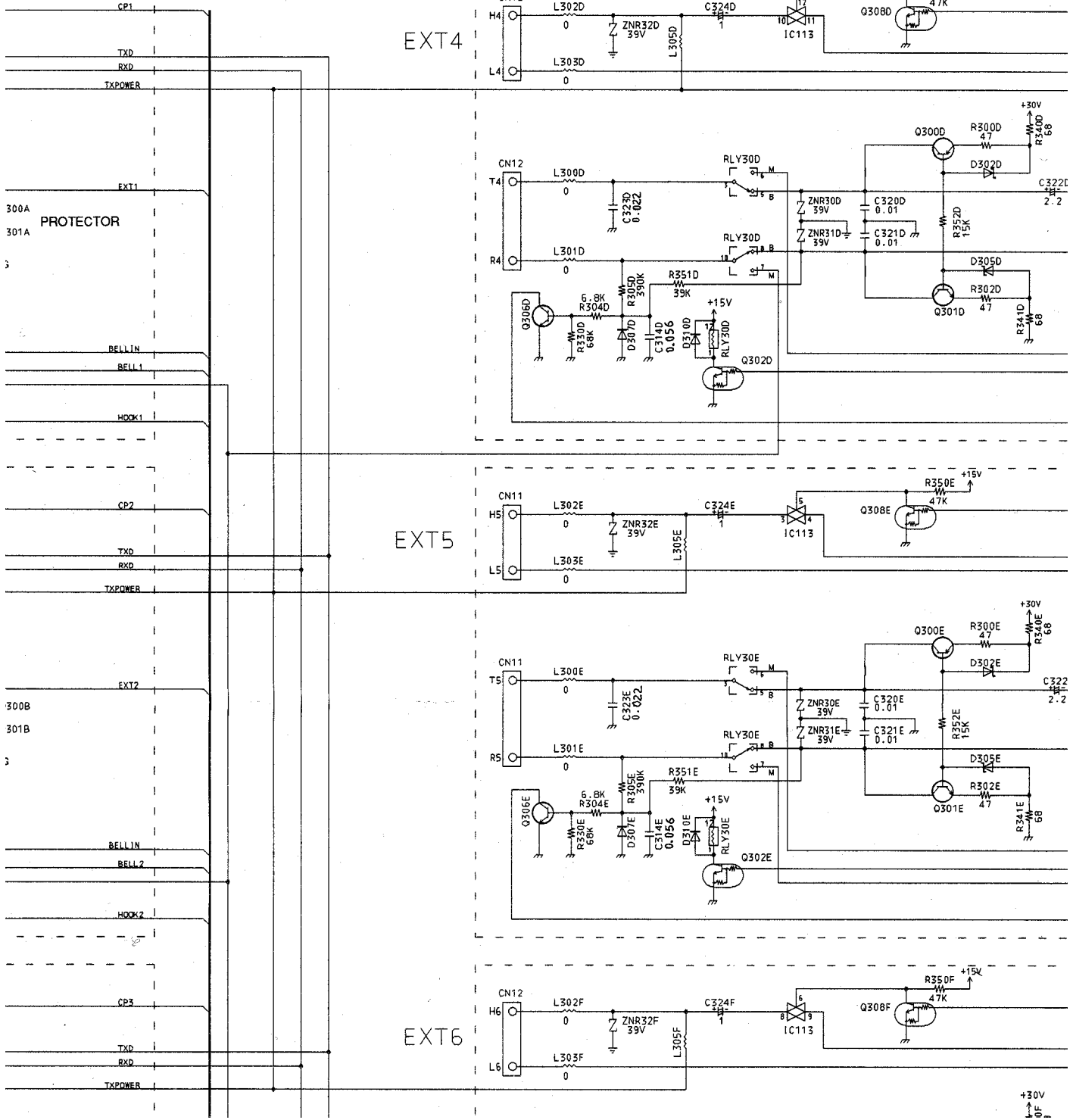


F

G

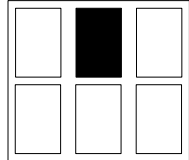
EXT3

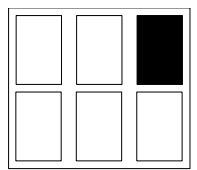
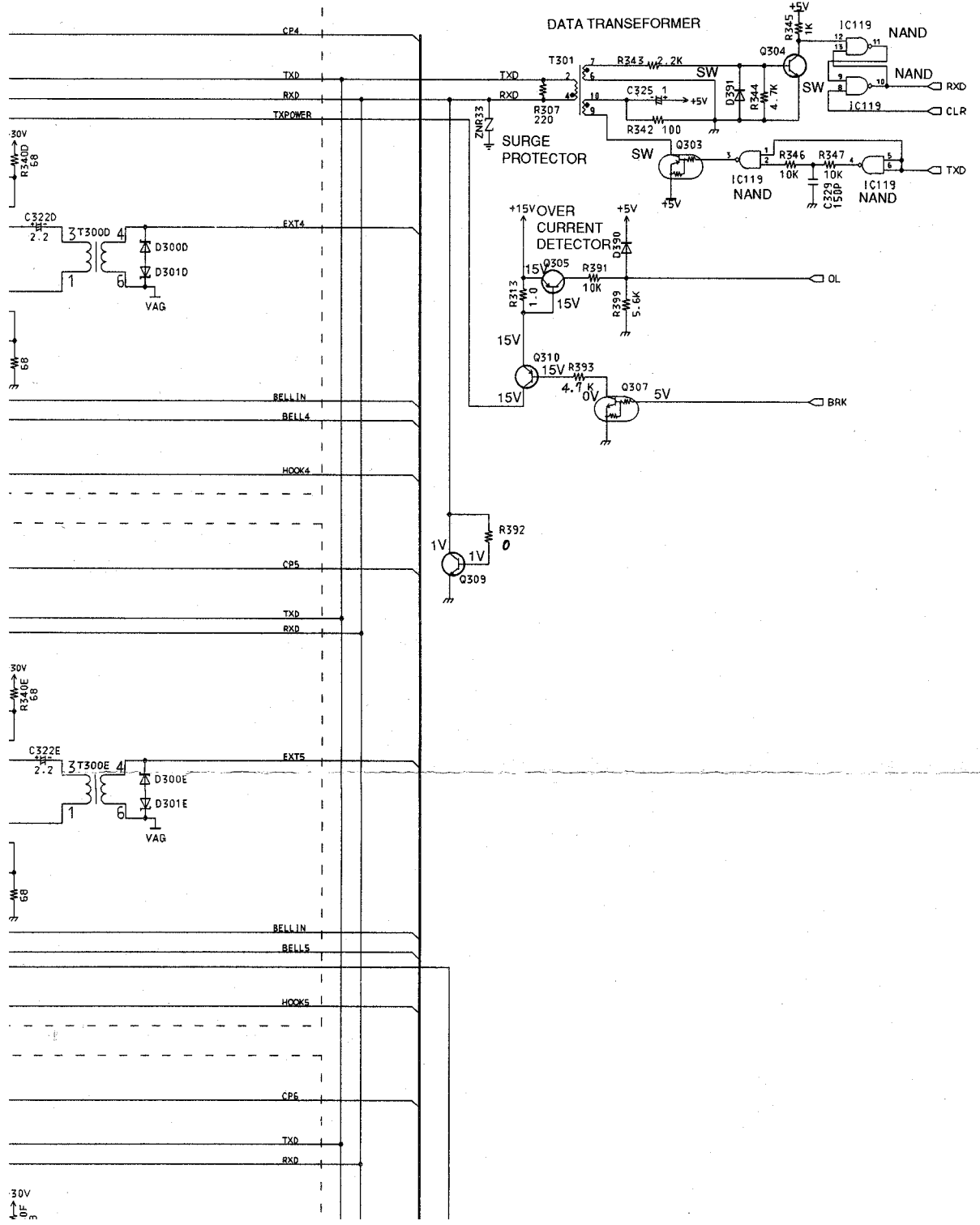




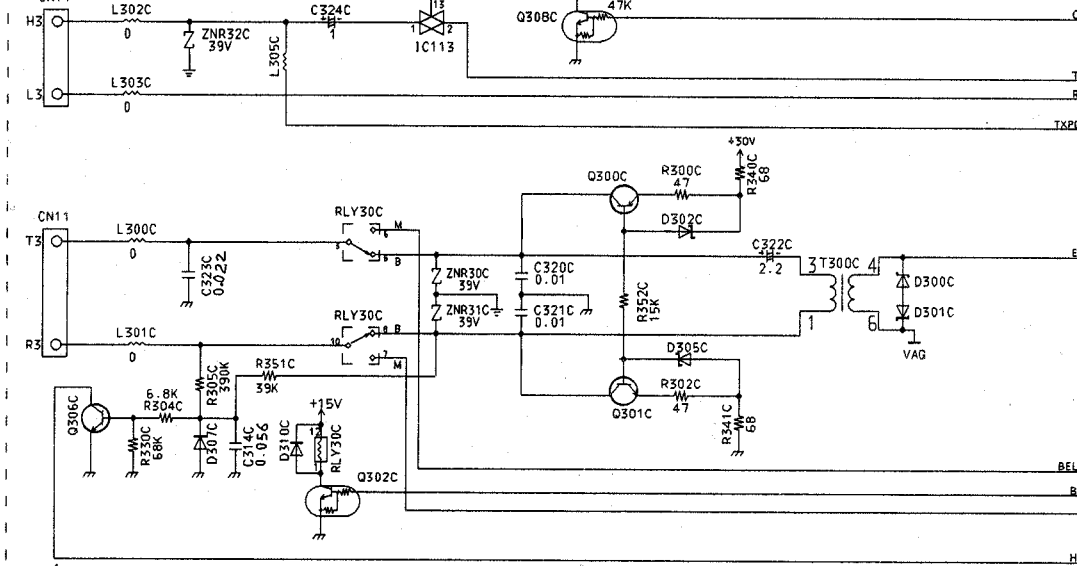
300A
301A
PROTECTOR

300B
301B

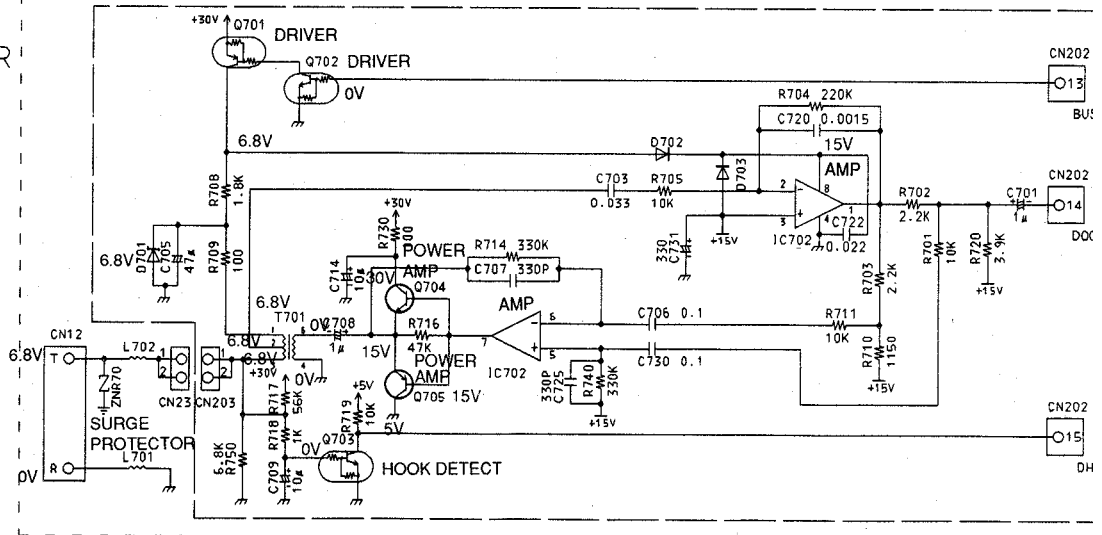




EXT3



DOOR



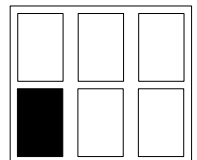
Notes:

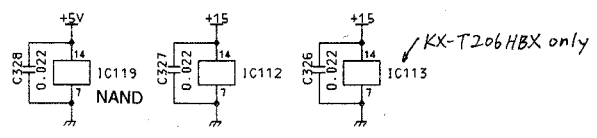
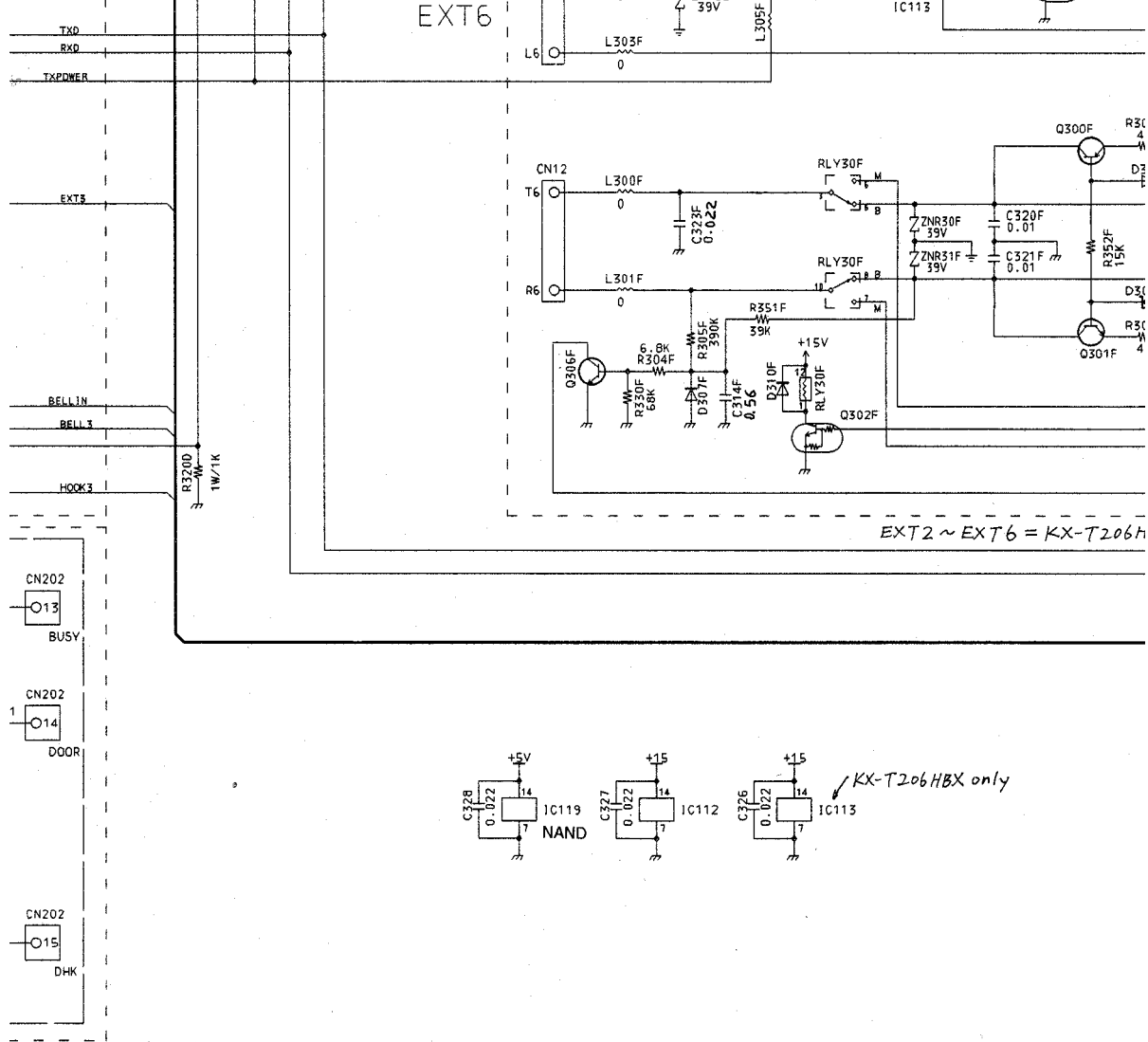
1. DC voltage measurements are taken with electronic voltmeter and oscilloscope from ground line.


3.

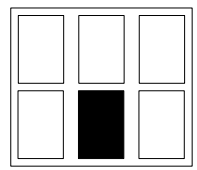
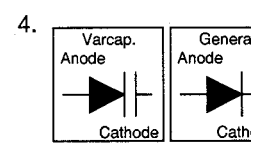
- Power Switch ON condition
- Voltage Value is V

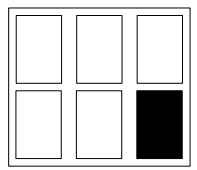
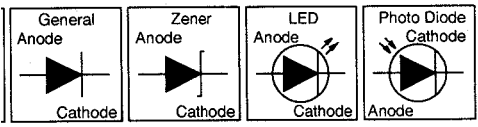
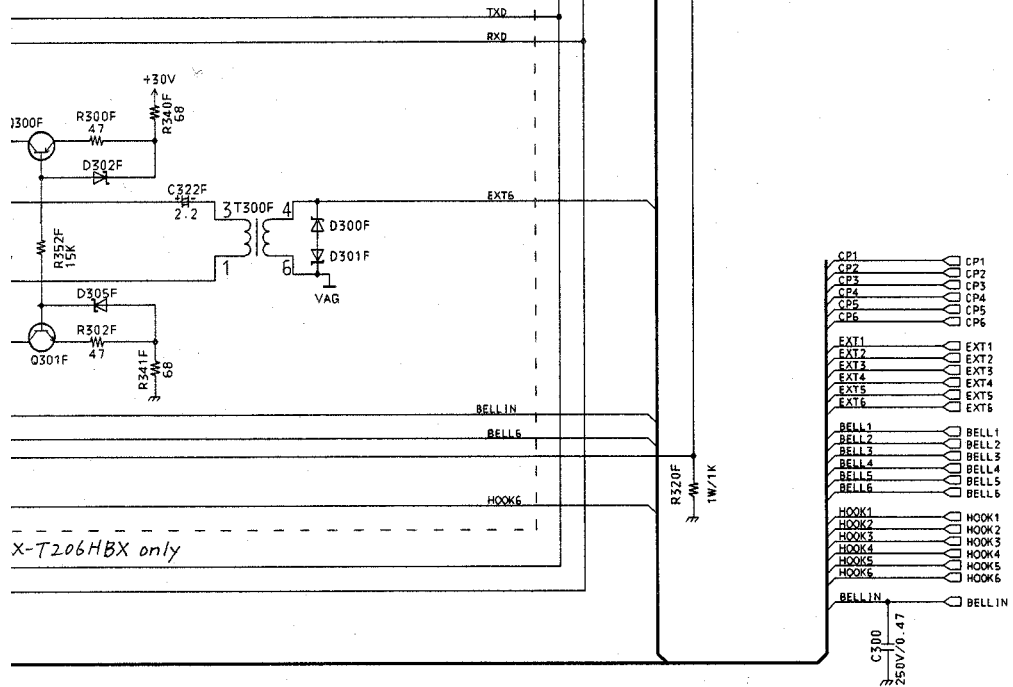
2. This schematic diagram may be modified at any time with the development of new technology.



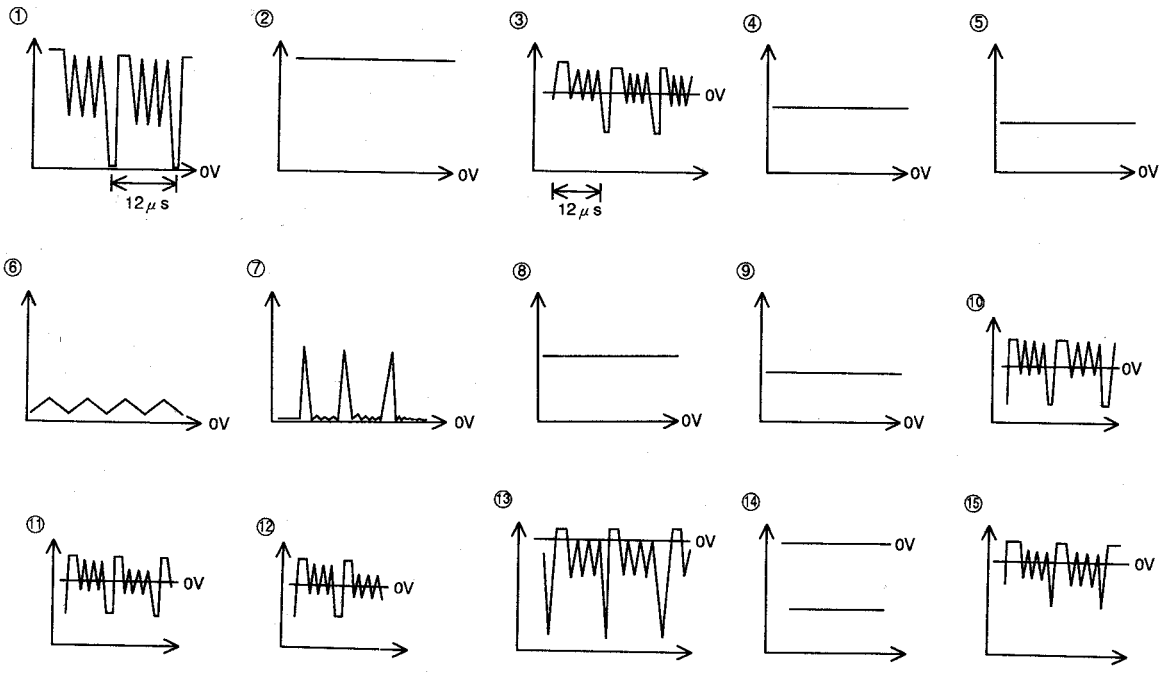
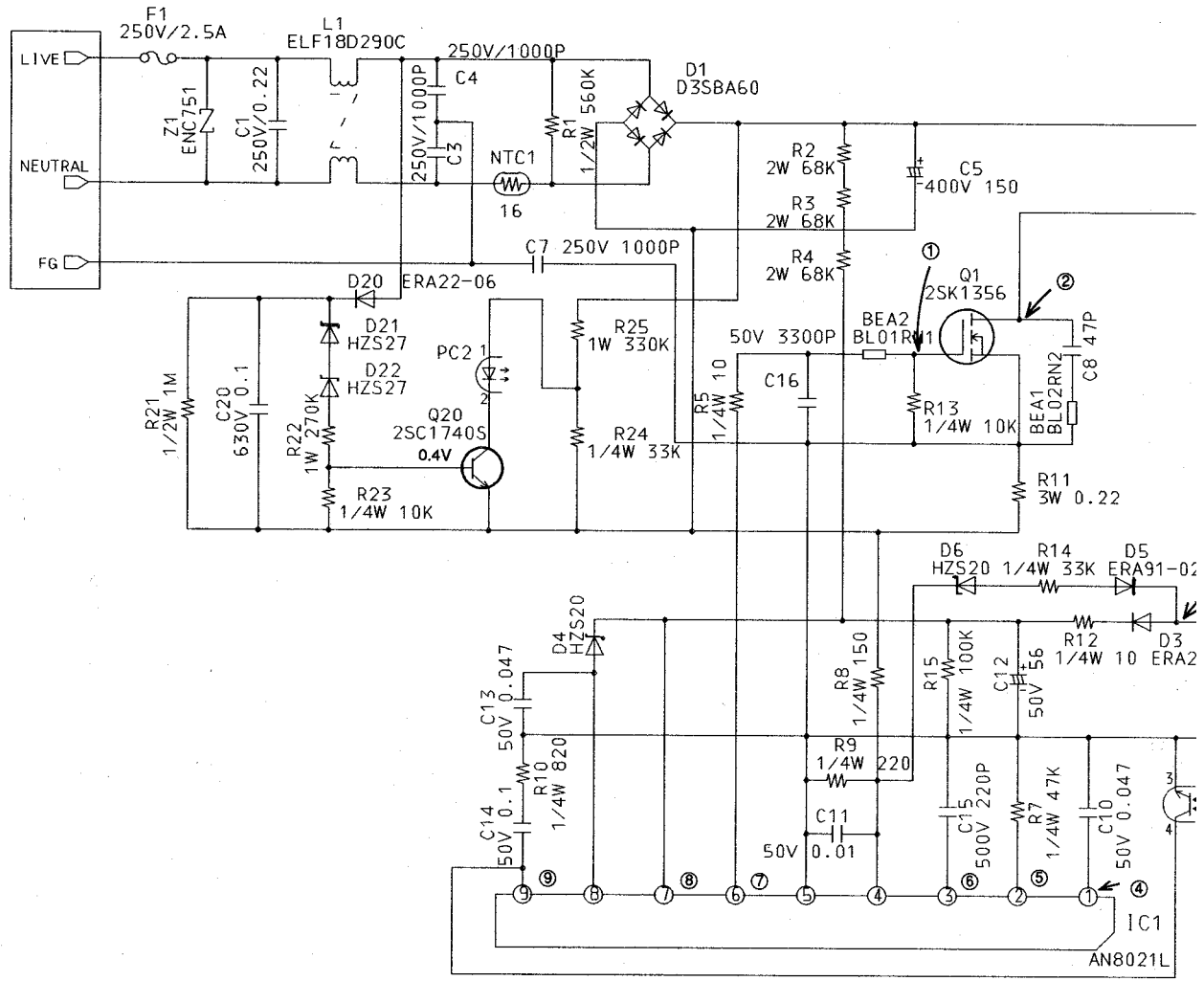


3. **Important safety notice**
 Components identified by  mark have special characteristics important for safety. When replacing any of these components use only manufacturer's specified parts.

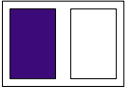


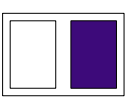
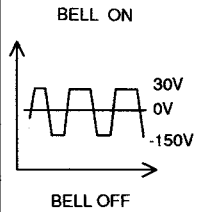
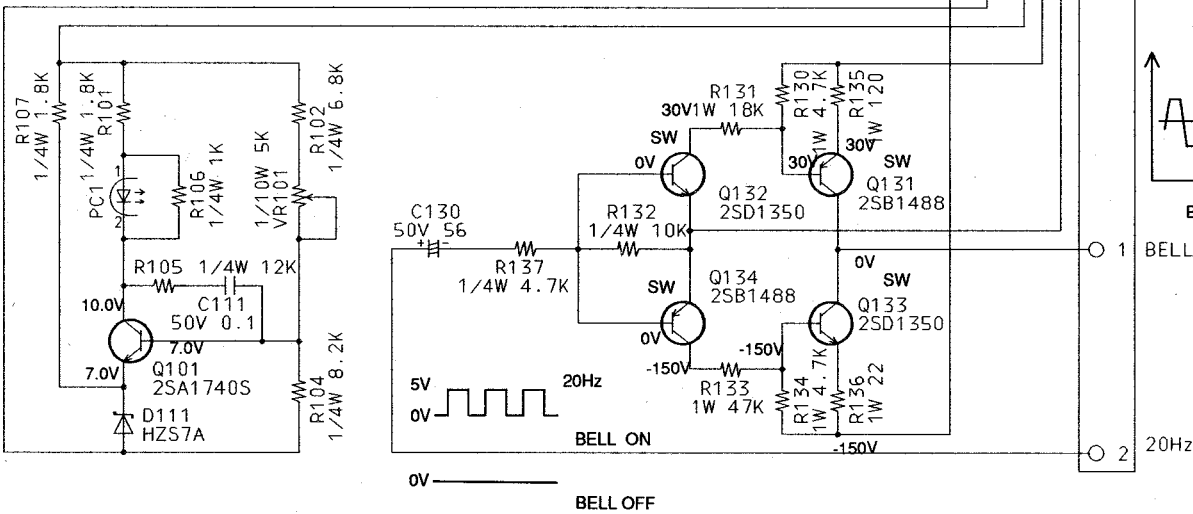
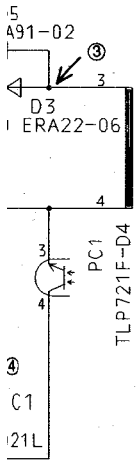
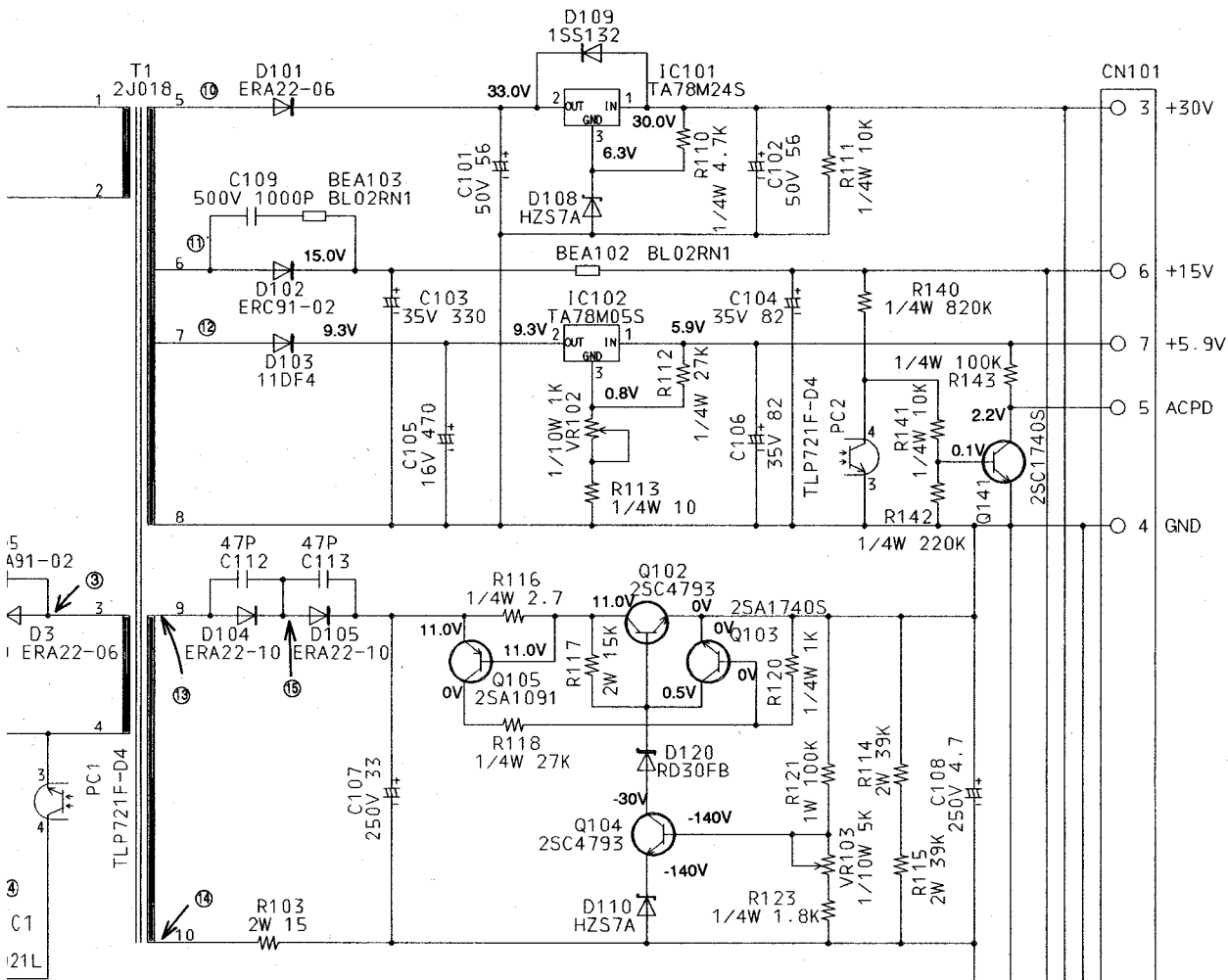


A
B
C
D
E
F
G
H

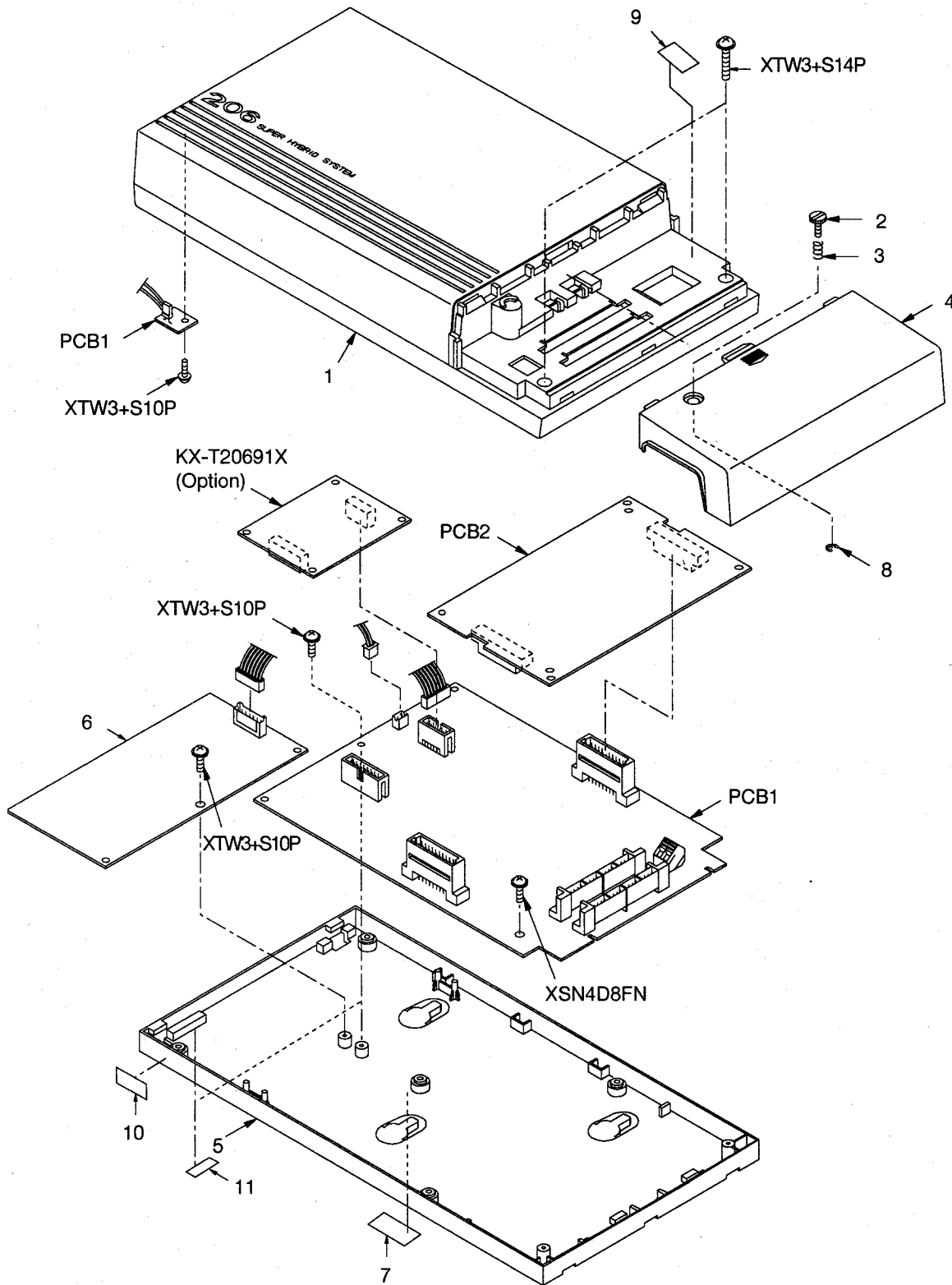


R107

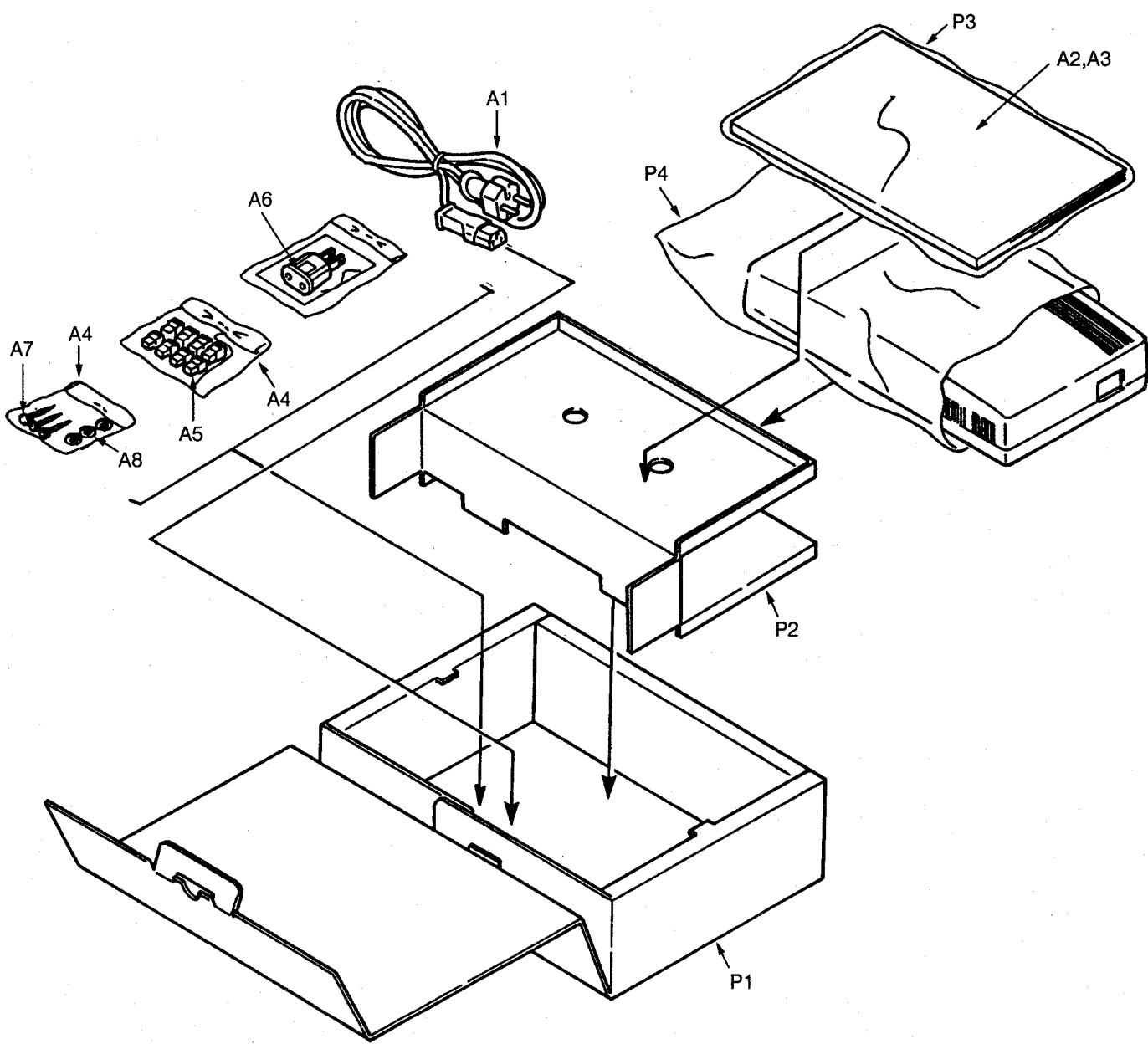




CABINET AND ELECTRICAL PARTS LOCATION



ACCESSORIES AND PACKING MATERIALS



This replacement parts list is for KX-T206SBX/HBX only.

Refer to the simplified manual (cover) for other areas.

REPLACEMENT PARTS LIST

Model KX-T206SBX/HBX

Notes:

1. The marking (RTL) indicates that the Retention Time is limited for this item. After the discontinuation of this assembly in production, the item will continue to be available for a specific period of time. The retention period of availability is dependent on the type of assembly, and in accordance with the laws governing part and product retention. After the end of this period, the assembly will no longer be available.

2. Important safety notice.

Components identified by the Δ mark special characteristics important for safety. When replacing any of these components, use only manufacturer's specified parts.

3. The S mark indicates service standard parts and may differ from production parts.

4. RESISTORS & CAPACITORS

Unless otherwise specified.

All resistors are in ohms (Ω) k=1000 Ω , M=1000k Ω

All capacitors are in MICRO FARADS(μ F) P= μ μF

*Type & Wattage of Resistor

Type

ERC:Solid	ERX:Metal Film	PQRD:Carbon
ERD:Carbon	ERG:Metal Oxide	PQRQ:Fuse
PQ4R:Chip	ERO:Metal Film	ERF:Wire Wound

Wattage

10,16,18:1/8W	14,25,S2:1/4W	12,50,S1:1/2W	1:1W	2:2W	5:5W
---------------	---------------	---------------	------	------	------

*Type & Voltage of Capacitor

Type

ECFD:Semi-Conductor	ECCD,ECKD,PQCBC,PQVP : Ceramic
EQQS:Styrol	EQQM,ECQV,ECQE,ECQU,ECQB : Polyester
PQCBX,ECUV:Chip	ECEA,ECsz,ECOS : Electrolytic
ECMS:Mica	ECQP : Polypropylene

Voltage

ECQ Type	ECQG ECQV Type	ECSZ Type	Others		
1H: 50V	05: 50V	0F:3.15V	OJ :6.3V	1V :35V	
2A:100V	1:100V	1A:10V	1A :10V	50,1H:50V	
2E:250V	2:200V	1V:35V	1C :16V	1J :63V	
2H:500V		OJ:6.3V	1E,25:25V	2A :100V	

Ref. No.	Part No.	Part Name & Description	Pcs
P1	PSPK1057Y	GIFT BOX (for KX-T206SBX)	1
P1	PQPK11338Z	GIFT BOX (for KX-T206HBX)	1
P2	PQPN10427Z	INNER CUSHION	1
P3	XZB30X40A04	PROTECTION COVER (FOR DOCUMENTS)	1
P73	XZB26X45A01	PROTECTION COVER (FOR SET)	1
MAIN/LED BOARD PARTS			
PCB1	PSWP1T206SBX	MAIN/LED BOARD ASS'Y (RTL) (for KX-T206SBX)	1
PCB1	PSWP1T206HBX	MAIN/LED BOARD ASS'Y (RTL) (for KX-T206HBX)	1
(ICs)			
IC100	PQVI6303XF2C	IC	1
IC101	PSWIT206SBX	IC	1
IC102	PQVI63HB110	IC	S 1
IC103	PQVICX5864MC	IC	S 1
IC104	PQVITC7H139F	IC	1
IC106	PQVITC7H04AF	IC	S 1
IC107	PQVITC7H32F	IC	1
IC109	PQVIMS6242BG	IC	1
IC110	PQVITC4066BF	IC	S 1
IC111	PQVITC4066BF	IC	S 1
IC113	PQVITC4066BF	IC (for KX-T206HBX)	S 1
IC114	PQVICM8870FI	IC	1
IC115	PQVICM8870FI	IC	1
IC116	PQVIUM95089	IC	1
IC117	PQVITC4066BF	IC	S 1
IC118	PQVINJM4558M	IC	1
IC119	PQVITC4011BF	IC	1
IC125	PQVIM402101B	IC	1
IC126	PQVIM402101B	IC	1
IC900	PQVINJM4558M	IC	1
IC903	PQVIBU3140	IC	1
(TRANSISTORS)			
Q103	UN5213	TRANSISTOR(SI)	S 1
Q104	UN5213	TRANSISTOR(SI)	S 1
Q106	UN5213	TRANSISTOR(SI)	S 1
Q107	UN5213	TRANSISTOR(SI)	S 1
Q108	UN5213	TRANSISTOR(SI)	S 1
Q109	UN5213	TRANSISTOR(SI)	S 1
Q110	UN5213	TRANSISTOR(SI)	S 1
Q111	UN5213	TRANSISTOR(SI)	S 1
Q112	UN5213	TRANSISTOR(SI) (for KX-T206HBX)	S 1
Q113	UN5213	TRANSISTOR(SI)	S 1
Q115	UN5213	TRANSISTOR(SI)	S 1
Q116	UN5213	TRANSISTOR(SI)	S 1
Q117	UN5213	TRANSISTOR(SI)	S 1
Q118	UN5213	TRANSISTOR(SI)	S 1
Q119	PQVTDTA143EU	TRANSISTOR(SI)	1
Q120	PQVTDTA143EU	TRANSISTOR(SI)	1
Q122	UN5213	TRANSISTOR(SI)	S 1
Q131	2SD1819A	TRANSISTOR(SI) (or 2SC4081S)	S 1
Q132	2SD1819A	TRANSISTOR(SI) (or 2SC4081S)	S 1
Q300A-	2SB1322	TRANSISTOR(SI)	6
Q300F			

Ref. No.	Part No.	Part Name & Description	Pcs
CABINET & ELECTRICAL PARTS			
1	PSKM1017V1	UPPER CABINET (for KX-T206SBX)	1
1	PSKM1017Z1	UPPER CABINET (for KX-T206HBX)	1
2	PQHD10011Z	SCREW	1
3	PQUS141Z	SPRING	1
4	PQKV10007Z1	COVER	1
5	PQKF10026L1	LOWER CABINET	1
6	PSLP1007Y	POWER SUPPLY BOARD ASS'Y Δ	1
7	PQGT11570Z	NAME PLATE(for KX-T206HBX only)	1
8	XUC3VW	RETAINING RING	1
9	PSQT1034Z	CAUTION LABEL	1
10	PSQT1035Z	CAUTION LABEL	1
11	PSHX1026Z	COVER	2
ACCESSORIES AND PACKING MATERIALS			
A1	PQJA223X	POWER CORD Δ	1
A2	PQOX11318Z	INSTALLATION MANUAL	1
A3	PSQX1045Z	USERS MANUAL	1
A4	XZB05X08A03	PROTECTION COVER (FOR ACCESSORY)	2
A5	PQJS04S08Z	CONNECTOR	8
A6	RJP16Z	PLUG ADAPTOR	1
A7	PQHE5004Z	SCREW, WALL MOUNT	3
A8	XWG35FY	WASHER	3

This replacement parts list is for KX-T206SBX/HBX only.

Refer to the simplified manual (cover) for other areas.

Ref. No.	Part No.	Part Name & Description	Pcs	Ref. No.	Part No.	Part Name & Description	Pcs
Q301A-Q301F	2SD1994A	TRANSISTOR(SI)	6	C127	PQCUV1H104ZF	0.1	1
Q302A-Q302F	PQVTDTC114Y	TRANSISTOR(SI)	6	C128	PQCUV1H104ZF	0.1	1
Q303	PQVTDTA143EU	TRANSISTOR(SI)	1	C135	PQCUV1H223KB	0.022	1
Q304	2SD1819A	TRANSISTOR(SI) (or 2SC408S)	S 1	C136	PQCUV1H223MD	0.022	1
Q305	2SA933	TRANSISTOR(SI)	1	C138	PQCUV1H223MD	0.022	1
Q306A-Q306F	2SD1819A	TRANSISTOR(SI) (or 2SC408S)	S 6	C139	PQCUV1H223KB	0.022	1
Q307	UN5213	TRANSISTOR(SI)	S 1	C141	PQCUV1H223MD	0.022	1
Q308A	UN5213	TRANSISTOR(SI)	S 1	C142	PQCUV1H104ZF	0.1	1
Q308B-Q308F	UN5213	TRANSISTOR(SI) (for KX-T206HBX)	S 5	C144	PQCUV1H223MD	0.022	1
Q309	2SD2137	TRANSISTOR(SI)	1	C148	PQCUV1C224ZF	0.22	1
Q310	2SB1417P	TRANSISTOR(SI)	1	C149	PQCUV1C224ZF	0.22	1
D100	MA700A	(DIODES) DIODE(SI)	1	C150	PQCUV1H223MD	0.022	1
D101	1SS131	DIODE(SI) (or 1SS178)	S 1	C160	PQCUV1H223KB	0.022	1
D102	1SS131	DIODE(SI) (or 1SS178) (for KX-T206HBX)	S 1	C300	ECQE2E474KZ	0.47	1
D103	1SS131	DIODE(SI) (or 1SS178)	S 1	C314A-C314F	PQCUV1H563KB	0.056	6
D104	MA4075	DIODE(SI)	1	C320A-C320F	PQCUV1H103KB	0.01	S 6
D105	1SS131	DIODE(SI) (or 1SS178)	S 1	C321A-C321F	PQCUV1H103KB	0.01	S 6
D106	1SS131	DIODE(SI) (or 1SS178)	S 1	C322A-C322F	ECEA1HU2R2	2.2	6
D110	1SS131	DIODE(SI) (or 1SS178)	S 1	C323A-C323F	ECQE2223KF	0.022	6
D111	1SS131	DIODE(SI) (or 1SS178)	S 1	C324A-C324F	ECEA1HU010	1	1
D112	MA4039	DIODE(SI)	1	C324B-C324F	ECEA1HU010	1 (for KX-T206HBX)	5
D117	1SS131	DIODE(SI) (or 1SS178)	S 1	C325	ECEA1HU010	1	1
D200	LN242RP	LED	S 1	C326	PQCUV1H223KB	0.022	1
D300A-D300F	MA4047	DIODE(SI)	6	C328	PQCUV1H223KB	0.022	1
D301A-D301F	MA4047	DIODE(SI)	6	C329	PQCUV1H151JC	150P	1
D302A-D302F	PQVDHZS2B1	DIODE(SI)	S 6	C501	PQCUV1H223KB	0.022	1
D305A-D305F	PQVDHZS2B1	DIODE(SI)	S 6	C502	PQCUV1H223KB	0.022	1
D307A-D307F	1SS131	DIODE(SI)	6	C503	PQCUV1H223KB	0.022	1
D310A-D310F	1SS131	DIODE(SI)	6	C504	PQCUV1H223KB	0.022	1
D390	1SS131	DIODE(SI)	1	C505	PQCUV1H223KB	0.022	1
D391	1SS131	DIODE(SI)	1	C511	PQCUV1H223MD	0.022	1
BATT	PQPCR2032H09	(BATTERY) LITHIUM BATTERY	S 1	C512	PQCUV1H223MD	0.022	1
C100	ECQE1104KN	(CAPACITORS) 0.1 (for KX-T206HBX)	1	C900	PQCUV1H473MD	0.047	S 1
C101	ECEA1EU101	100	1	C901	PQCUV1H104ZF	0.1	S 1
C102	EECW0HS224Z	0.22	1	C902	PQCUV1H332KB	0.0033	1
C106	PQCUV1H200JC	20P	1	C903	PQCUV1H683KB	0.068	1
C107	PQCUV1H200JC	20P	1	C904	PQCUV1H104ZF	0.1	S 1
C108	PQCUV1H104ZF	0.1	1	C905	PQCUV1H682KB	0.0068	1
C109	PQCUV1H104ZF	0.1	1	C908	PQCUV1H222KB	0.0022	1
C110	PQCUV1H104ZF	0.1	1	C910	PQCUV1H223KB	0.022	1
C112	PQCUV1H150JC	15P	1	C911	PQCUV1H223KB	0.022	1
C113	PQCUV1H150JC	15P	1	R100	ERDS1TJ151	150 (for KX-T206HBX)	S 1
C118	ECEA1HU100	10	1	R101	PQ4R10XJ473	47K	1
C121	PQCUV1H104ZF	0.1	1	R102	PQ4R10XJ473	47K	1
C122	PQCUV1H104ZF	0.1	S 1	R103	PQ4R10XJ473	47K	1
C123	PQCUV1H104ZF	0.1	S 1	R104	PQ4R10XJ473	47K	1
C125	PQCUV1H104ZF	0.1	1	R105	PQ4R10XJ473	47K	1
				R106	PQ4R10XJ272	2.7K	1
				R110	PQ4R10XJ151	150	1
				R111	PQ4R10XJ151	150	1
				R112	PQ4R10XJ151	150	1

This replacement parts list is for KX-T206SBX/HBX only. Refer to the simplified manual (cover) for other areas.

Ref. No.	Part No.	Part Name & Description	Pcs	Ref. No.	Part No.	Part Name & Description	Pcs
R113	PQ4R10XJ151	150	1	R330A-	PQ4R10XJ683	68K	6
R114	PQ4R10XJ151	150	1	R330F			
R115	PQ4R10XJ151	150	1				
R116	PQ4R10XJ151	150	1	R340A-	ERDS2TJ680	68	6
R117	PQ4R10XJ151	150	1	R340F			
R118	PQ4R10XJ151	150	1	R341A-	ERDS2TJ680	68	6
R119	PQ4R10XJ472	4.7K	1	R341F			
R120	ERDS2TJ332	3.3K	1	R342	PQ4R10XJ101	100	1
R121	PQ4R10XJ103	10K	1	R343	PQ4R10XJ222	2.2K	1
R122	PQ4R10XJ103	10K	1	R344	PQ4R10XJ472	4.7K	1
R123	PQ4R10XJ223	22K	1	R345	PQ4R10XJ102	1K	1
R124	PQ4R10XJ223	22K	1	R346	PQ4R10XJ103	10K	1
R125	PQ4R10XJ223	22K	1	R347	PQ4R10XJ103	10K	1
R126	PQ4R10XJ222	2.2K	1	R350A	PQ4R10XJ473	47K	1
R127	PQ4R10XJ103	10K	1	R350B-	PQ4R10XJ473	47K	5
R128	PQ4R10XJ103	10K	1	R350F			
R129	PQ4R10XJ561	560	1	R351A-	PQ4R10XJ393	39K	6
R130	PQ4R10XJ681	680	1	R351F			
R131	PQ4R10XJ103	10K	1	R352A-	ERDS2TJ153	15K	6
R132	PQ4R10XJ104	100K	1	R352F			
R133	PQ4R10XJ473	47K	1	R391	PQ4R10XJ103	10K	1
R134	PQ4R10XJ473	47K	1	R392	PQ4R10XJ000	0	1
R135	PQ4R10XJ103	10K	1	R393	PQ4R10XJ472	4.7K	1
R137	PQ4R10XJ223	22K	1	R399	PQ4R10XJ562	5.6K	1
R138	PQ4R10XJ821	820	1				
R140	PQ4R10XJ104	100K	1	R500	PQ4R10XJ102	1K	1
R141	PQ4R10XJ333	33K	1	R501	PQ4R10XJ102	1K	1
R142	PQ4R10XJ334	330K	1	R511	PQ4R10XJ682	6.8K	1
R143	PQ4R10XJ104	100K	1	R512	PQ4R10XJ682	6.8K	1
R144	PQ4R10XJ333	33K	1	R513	PQ4R10XJ122	1.2K	1
R145	PQ4R10XJ334	330K	1	R514	PQ4R10XJ122	1.2K	1
R146	PQ4R10XJ472	4.7K	1	R515	PQ4R10XJ122	1.2K	1
R150	PQ4R10XJ103	10K	1	R516	PQ4R10XJ122	1.2K	1
R151	PQ4R10XJ103	10K	1	R517	PQ4R10XJ122	1.2K	1
R152	PQ4R10XJ103	10K	1	R518	PQ4R10XJ122	1.2K	1
R153	PQ4R10XJ103	10K	1	R532	PQ4R10XJ473	47K	1
R154	PQ4R10XJ103	10K	1	R533	PQ4R10XJ473	47K	1
R155	PQ4R10XJ103	10K	1	R540	PQ4R10XJ473	47K	1
R156	PQ4R10XJ103	10K	1	R541	PQ4R10XJ473	47K	1
R157	PQ4R10XJ103	10K	1	R542	PQ4R10XJ473	47K	1
R158	PQ4R10XJ103	10K	1	R543	PQ4R10XJ473	47K	1
R159	PQ4R10XJ103	10K	1	R544	PQ4R10XJ473	47K	1
R160	PQ4R10XJ103	10K	1	R545	PQ4R10XJ473	47K	1
R161	PQ4R10XJ103	10K	1	R548	PQ4R10XJ473	47K	1
R181	PQ4R10XJ103	10K	1	R549	PQ4R10XJ473	47K	1
R183	PQ4R10XJ000	0	1	R900	PQ4R10XJ104	100K	1
R185	PQ4R10XJ103	10K	1	R901	PQ4R10XJ104	100K	1
R198	PQ4R10XJ103	10K	1	R902	PQ4R10XJ104	100K	1
R300A -	PQ4R10XJ470	47	6	R903	PQ4R10XJ224	220K	1
R300F				R904	PQ4R10XJ124	120K	1
R302A-	PQ4R10XJ470	47	6	R910	PQ4R10XJ220	22	1
R302F				R911	PQ4R10XJ220	22	1
R304A-	PQ4R10XJ682	6.8K	6	R912	PQ4R10XJ103	10K	1
R304F				R913	PQ4R10XJ103	10K	1
R305A-	PQ4R10XJ394	390K	6	R914	PQ4R10XJ103	10K	1
R305F				R919	PQ4R10XJ123	12K	1
R307	PQ4R10XJ221	220	1	R920	PQ4R10XJ103	10K	1
R313	PQRD12VJ1R0	1	1	R921	PQ4R10XJ223	22K	1
R320D	PQRD1VJ102	1K	1	R925	PQ4R10XJ000	0	1
R320F	PQRD1VJ102	1K	1	R950	PQ4R10XJ273	27K	1
				R951	PQ4R10XJ393	39K	1
				R999	PQ4R10XJ183	18K	1

This replacement parts list is for KX-T206SBX/HBX only. Refer to the simplified manual (cover) for other areas.

Ref. No.	Part No.	Part Name & Description	Pcs	Ref. No.	Part No.	Part Name & Description	Pcs
J104	PQ4R10XJ000	0 (for KX-T206SBX)	1	SUB BOARD PARTS			
		(RELAYS)		PCB2	PSWP2T206SBX	SUB BOARD ASS'Y (RLT)	1
RLY10	ATX203	RELAY	1			(ICs)	
RLY30A- RLY30F	PQSL119Z	RELAY	6	IC200A	PQVINJM4558M	IC	1
RLY100	PQSL63Z	RELAY (for KX-T206HBX)	1	IC200B	PQVINJM4558M	IC	1
		(VARISTORS)		IC201A	PQVITC4066BF	IC	S 1
ZNR2	ERZC10DK681	VARISTOR	1	IC201B	PQVITC4066BF	IC	S 1
ZNR30A- ZNR30F	PQVDNV039D03	VARISTOR	6	IC702	PQVINJM4558M	IC	1
ZNR31A- ZNR31F	PQVDNV039D03	VARISTOR	6	IC901	PQVIUM66T11L	IC	1
ZNR32A	PQVDNV039D03	VARISTOR	1			(TRANSISTORS)	
ZNR32B- ZNR32F	PQVDNV039D03	VARISTOR	5	Q200A	2SA1627	TRANSISTOR(SI)	1
ZNR33	PQVDNV039D03	VARISTOR	1	Q200B	2SA1627	TRANSISTOR(SI)	1
ZNR70	PQVDNV039D03	VARISTOR	1	Q202A	UN5213	TRANSISTOR(SI)	S 1
SA1A	PSVD3J3J1	VARISTOR (SURGE ABSORBER)	1	Q202B	UN5213	TRANSISTOR(SI)	S 1
SA1B	PSVD3J3J1	VARISTOR (SURGE ABSORBER)	1	Q203A	UN5213	TRANSISTOR(SI)	S 1
		(TRANSFORMERS)		Q203B	UN5213	TRANSISTOR(SI)	S 1
T300A- T300F	ETA14Y180AY	TRANSFORMER	S 6	Q204A	UN5213	TRANSISTOR(SI)	S 1
T301	ETE13K24AY	TRANSFORMER	1	Q204B	UN5213	TRANSISTOR(SI)	S 1
		(CONNECTORS & TERMINAL)		Q205A	UN5213	TRANSISTOR(SI)	S 1
CN1	PQJP10D30Y	CONNECTOR, 10P	1	Q205B	UN5213	TRANSISTOR(SI)	S 1
CN2	PQJP16D30Y	CONNECTOR, 16P	1	Q206A	2SD1897	TRANSISTOR(SI)	1
CN3	PQJP2D70Z	CONNECTOR, 2P	1	Q206B	2SD1897	TRANSISTOR(SI)	1
CN4	PQJS07Q42Z	CONNECTOR, 7P	1	Q210A	PQVTDTA124XU	TRANSISTOR(SI)	1
CN5	PQJS02R48Y	CONNECTOR, 2P	1	Q210B	PQVTDTA124XU	TRANSISTOR(SI)	1
CN10	PSJT1005Z	TERMINAL (for KX-T206HBX)	1	Q701	UN5113	TRANSISTOR(SI)	S 1
CN11	PQJP16A56Z	CONNECTOR, 16P	1	Q702	UN5213	TRANSISTOR(SI)	S 1
CN12	PQJP16A56Z	CONNECTOR, 16P	1	Q703	PQVTDTC124EU	TRANSISTOR(SI)	1
CN22	PSJP20A11Y	CONNECTOR, 20P	1	Q704	2SD1819A	TRANSISTOR(SI)	S 1
CN23	PSJP20A11Y	CONNECTOR, 20P	1	Q705	2SA933	TRANSISTOR(SI)	1
		(CERAMIC FILTER & COILS)				(DIODES)	
L100	PQV50MT	CERAMIC FILTER	1	D200A	PQVDS1ZB40F1	DIODE(SI)	1
L120	PQLQZM2R2K	COIL	1	D200B	PQVDS1ZB40F1	DIODE(SI)	1
L173	PQLQZM2R2K	COIL	1	D203A	1SS131	DIODE(SI)	1
L305A	ELESN101KA	COIL	1	D203B	1SS131	DIODE(SI)	1
L305B- L305F	ELESN101KA	COIL	5	D210A	1SS131	DIODE(SI)	1
		(CRYSTAL OSCILLATORS & CERAMIC FILTER)		D210B	1SS131	DIODE(SI)	1
X100	PQVCK8000N3Z	CRYSTAL OSCILLATOR	1	D701	MA4068	DIODE(SI)	1
X101	PQVBFC3584A1	CERAMIC FILTER	S 1	D702	1SS131	DIODE(SI)	1
X103	PQVCL3276N4Z	CRYSTAL OSCILLATOR	1	D703	1SS131	DIODE(SI)	1
		(COMPONENTS COMBINATIONS)				(CAPACITORS)	
Z100	PQRSLD8X473J	RESISTOR ARRAY	1	C200A	ECQE2E474KZ	0.47	Δ S 1
Z101	PQRSLD8X473J	RESISTOR ARRAY	1	C200B	ECQE2E474KZ	0.47	Δ S 1
Z102	PQRSLD8X473J	RESISTOR ARRAY	1	C201A	ECEA1HU220	22	S 1
				C201B	ECEA1HU220	22	S 1
				C202A	ECEA1HU100	10	1
				C202B	ECEA1HU100	10	1
				C203A	ECEA1HU220	22	1
				C203B	ECEA1HU220	22	1
				C204A	PQCUV1H683KB	0.068	1
				C204B	PQCUV1H683KB	0.068	1
				C205A	PQCUV1H563KB	0.056	1
				C205B	PQCUV1H563KB	0.056	1
				C206A	PQCUV1H563KB	0.056	1
				C206B	PQCUV1H563KB	0.056	1
				C207A	PQCUV1H820JC	82P	1
				C207B	PQCUV1H820JC	82P	1
				C210A	PQCUV1H563KB	0.056	1
				C210B	PQCUV1H563KB	0.056	1
				C211A	PQCUV1H563KB	0.056	1
				C211B	PQCUV1H563KB	0.056	1
				C212A	PQCUV1H820JC	82P	1

This replacement parts list is for KX-T206SBX/HBX only. Refer to the simplified manual (cover) for other areas.

Ref. No.	Part No.	Part Name & Description	Pcs	Ref. No.	Part No.	Part Name & Description	Pcs
C212B	PQCUV1H820JC	82P	1	R219A	PQ4R10XF3003	300K	1
C213A	PQCUV1H820JC	82P	1	R219B	PQ4R10XF3003	300K	1
C213B	PQCUV1H820JC	82P	1				
C214A	PQCUV1H820JC	82P	1	R220A	PQ4R10XF3003	300K	1
C214B	PQCUV1H820JC	82P	1	R220B	PQ4R10XF3003	300K	1
				R221A	PQ4R10XJ122	1.2K	1
C220A	ECKDKC222KB	0.0022	1	R221B	PQ4R10XJ122	1.2K	1
C220B	ECKDKC222KB	0.0022	1	R222A	PQ4R10XJ122	1.2K	1
C221A	PQCUV1H102J	0.001	S 1	R222B	PQ4R10XJ122	1.2K	1
C221B	PQCUV1H102J	0.001	S 1	R223A	PQ4R10XJ122	1.2K	1
C230A	PQCUV1H223KB	0.022	1	R223B	PQ4R10XJ122	1.2K	1
C230B	PQCUV1H223KB	0.022	1	R224A	PQ4R10XJ000	0	1
C240A	PQCUV1H223KB	0.022	1	R224B	PQ4R10XJ000	0	1
C240B	PQCUV1H223KB	0.022	1	R225A	PQ4R10XJ000	0	1
				R225B	PQ4R10XJ000	0	1
C701	ECEA1HU010	1	1	R226A	PQ4R10XJ122	1.2K	1
C703	PQCUV1H333JC	0.033	S 1	R226B	PQ4R10XJ122	1.2K	1
C705	ECEA1HU470	47	1	R227A	PQ4R10XF1003	100K	1
C706	PQCUV1E104MD	0.1	S 1	R227B	PQ4R10XF1003	100K	1
C707	PQCUV1H331JC	330P	S 1	R228A	PQ4R10XF1003	100K	1
C708	ECEA1HU010	1	1	R228B	PQ4R10XF1003	100K	1
C709	ECEA1HU100	10	1	R229A	PQ4R10XF3003	300K	1
				R229B	PQ4R10XF3003	300K	1
C714	ECEA1HU100	10	1				
				R231A	PQ4R10XJ473	47K	1
C720	PQCUV1H152KB	0.0015	S 1	R231B	PQ4R10XJ473	47K	1
C722	PQCUV1H223MD	0.022	1	R232A	PQ4R10XJ473	47K	1
				R232B	PQ4R10XJ473	47K	1
C725	PQCUV1H331JC	330P	S 1	R233A	PQ4R10XJ473	47K	1
				R233B	PQ4R10XJ473	47K	1
C730	PQCUV1E104MD	0.1	S 1	R234A	PQ4R10XJ473	47K	1
C731	ECEA1EU331	330	1	R234B	PQ4R10XJ473	47K	1
				R235A	PQ4R10XJ823	82K	1
C912	PQCUV1H393KB	0.039	S 1	R235B	PQ4R10XJ823	82K	1
C913	PQCUV1H104ZF	0.1	S 1	R236A	PQ4R10XJ000	0	1
				R236B	PQ4R10XJ000	0	1
		(RESISTORS)		R237A	PQ4R10XJ000	0	1
R200A	PQRD12VJ223	22K	1	R237B	PQ4R10XJ000	0	1
R200B	PQRD12VJ223	22K	1	R238A	PQ4R10XJ000	0	1
R201A	ERDS2TJ122	1.2K	1	R238B	PQ4R10XJ000	0	1
R201B	ERDS2TJ122	1.2K	1	R239A	PQ4R10XJ000	0	1
R202A	ERDS2TJ104	100K	1	R239B	PQ4R10XJ000	0	1
R202B	ERDS2TJ104	100K	1				
R203A	ERDS2TJ472	4.7K	1	R247A	PQ4R10XJ220	22	1
R203B	ERDS2TJ472	4.7K	1	R247B	PQ4R10XJ220	22	1
R204A	ERDS2TJ5R6	5.6	1	R248A	PQ4R10XJ220	22	1
R204B	ERDS2TJ5R6	5.6	1	R248B	PQ4R10XJ220	22	1
R206A	ERDS2TJ103	10K	1				
R206B	ERDS2TJ103	10K	1	R701	PQ4R10XJ103	10K	1
R207A	ERDS2TJ123	12K	1	R702	PQ4R10XJ222	2.2K	1
R207B	ERDS2TJ123	12K	1	R703	PQ4R10XJ222	2.2K	1
				R704	PQ4R10XJ224	220K	1
R210A	PQ4R10XJ183	18K	1	R705	PQ4R10XJ103	10K	1
R210B	PQ4R10XJ183	18K	1	R708	PQ4R10XJ182	1.8K	1
R211A	PQ4R10XJ392	3.9K	1	R709	PQ4R10XJ101	100	1
R211B	PQ4R10XJ392	3.9K	1				
R212A	PQ4R10XJ122	1.2K	1	R710	PQ4R10XF1151	1.15K	1
R212B	PQ4R10XJ122	1.2K	1	R711	PQ4R10XJ103	10K	1
R213A	PQ4R10XJ122	1.2K	1	R714	PQ4R10XJ334	330K	1
R213B	PQ4R10XJ122	1.2K	1	R716	PQ4R10XJ473	47K	1
R214A	PQ4R10XJ391	390	1	R717	PQ4R10XJ563	56K	1
R214B	PQ4R10XJ391	390	1	R718	PQ4R10XJ102	1K	1
R215A	PQ4R10XJ102	1K	1	R719	PQ4R10XJ103	10K	1
R215B	PQ4R10XJ102	1K	1				
R216A	PQ4R10XF1003	100K	1	R720	PQ4R10XJ392	3.9K	1
R216B	PQ4R10XF1003	100K	1				
R217A	PQ4R10XF1003	100K	1	R730	PQ4R10XJ101	100	1
R217B	PQ4R10XF1003	100K	1				
R218A	PQ4R10XF3003	300K	1	R740	PQ4R10XJ334	330K	1
R218B	PQ4R10XF3003	300K	1				

This replacement parts list is for KX-T206SBX/HBX only. Refer to the simplified manual (cover) for other areas.

Ref. No.	Part No.	Part Name & Description	Pcs
R750	PQ4R10XJ682	6.8K	1
R922	PQ4R10XJ122	1.2K	1
R923	PQ4R10XJ684	680K	1
R927	ERDS2TJ152	1.5K	1
(CONNECTORS)			
CN202	PSJS20A07Y	CONNECTOR, 20P	1
CN203	PSJS20A07Y	CONNECTOR, 20P	1
(COILS)			
L200A	PQLQZK101K	COIL	S 1
L200B	PQLQZK101K	COIL	S 1
L201A	PQLQZK2R2K	COIL	S 1
L201B	PQLQZK2R2K	COIL	S 1
L202A	PQLQZK101K	COIL	S 1
L202B	PQLQZK101K	COIL	S 1
L203A	PQLQZK2R2K	COIL	S 1
L203B	PQLQZK2R2K	COIL	S 1
(PHOTO ELECTRIC TRANSDUCERS)			
PC200A	PQVIPC814K	PHOTO COUPLER	△ S 1
PC200B	PQVIPC814K	PHOTO COUPLER	△ S 1
PC201A	PQVITLP627	PHOTO COUPLER	△ S 1
PC201B	PQVITLP627	PHOTO COUPLER	△ S 1
(TRANSFORMERS)			
T200A	ETA14Y180AY	TRANSFORMER	△ S 1
T200B	ETA14Y180AY	TRANSFORMER	△ S 1
T701	ETA14Y101AY	TRANSFORMER	S 1
(VARISTORS)			
ZNR20A	ERZC07DK820	VARISTOR	S 1
ZNR20B	ERZC07DK820	VARISTOR	S 1